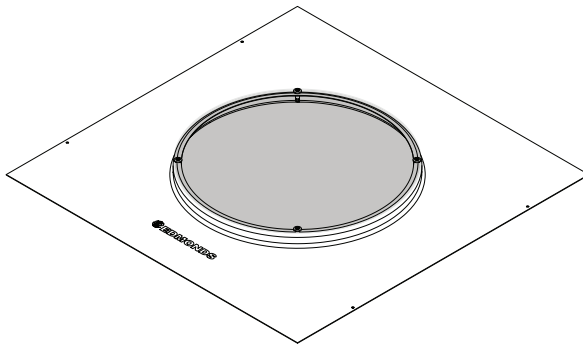


# WindMaster

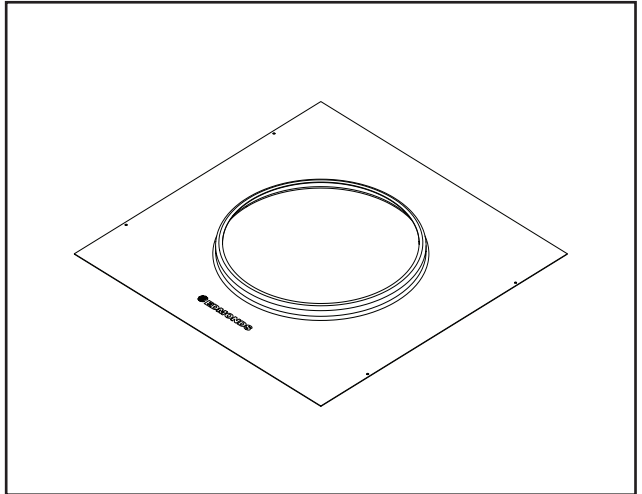
## Sparkguard Installation Guide



## Installation - Sparkguard to windmaster flashing

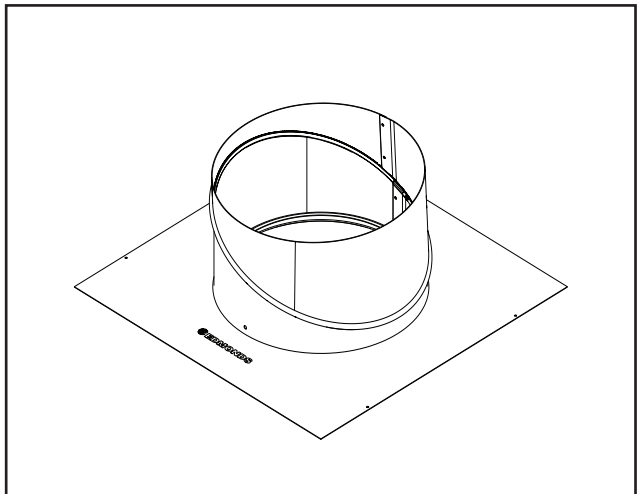
### STEP 1

Take the windmaster flashing from the box and place on a suitable work surface



### STEP 2

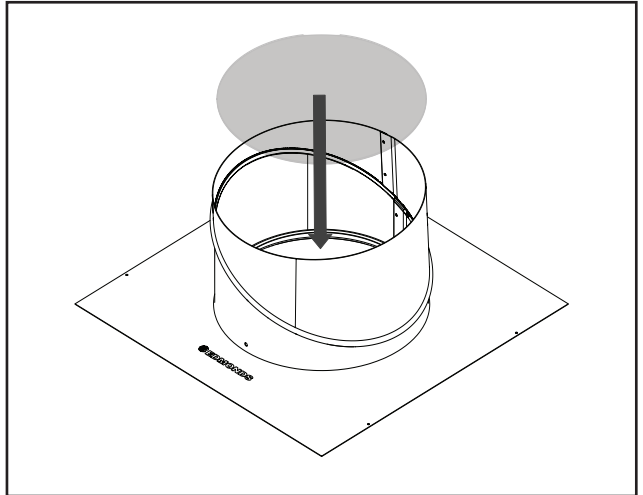
Take the varipitch from the box and place onto the flashing.



## Installation - Sparkguard to windmaster flashing

### STEP 3

Using the varipitch as a centering guide, place the 300mm residential sparkguard onto the top of the flashing.

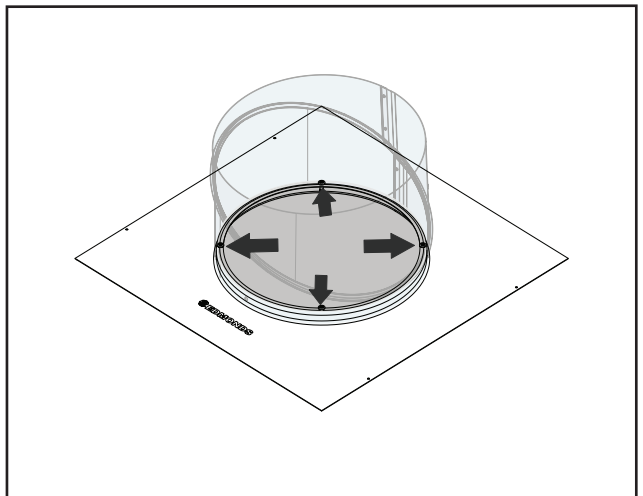


Use appropriate PPE and take care when handling the sparkguard. It has sharp edges.

### STEP 4

Secure the 300mm residential sparkguard to the flashing using the 4 supplied TEK screws.

Take care to screw through the top flange of the flashing upstand.



Ensure that the mesh is sitting flush on the upstand of the flashing. All gaps must be less than 3mm. If required, fix with additional screws.

## Installation - Sparkguard to windmaster flashing

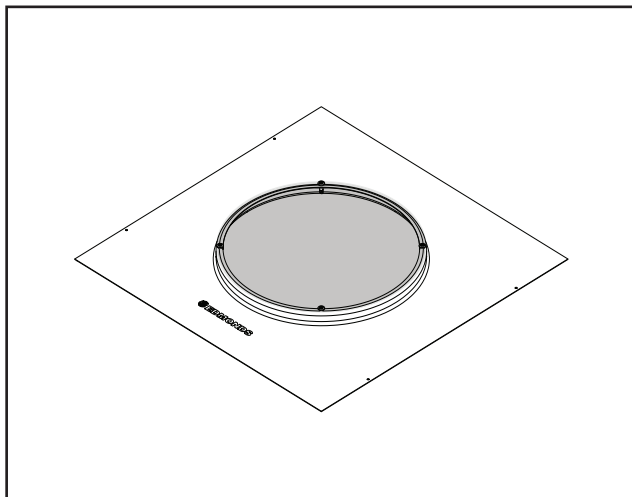
### STEP 5

Remove the varipitch.

The sparkguard is now fitted correctly to the windmaster flashing.

If the windmaster installation is for a metal roof then this can proceed by following the standard windmaster installation instructions.

If the installation is for a tile roof then the fixing strap must be installed. This is detailed in the next section

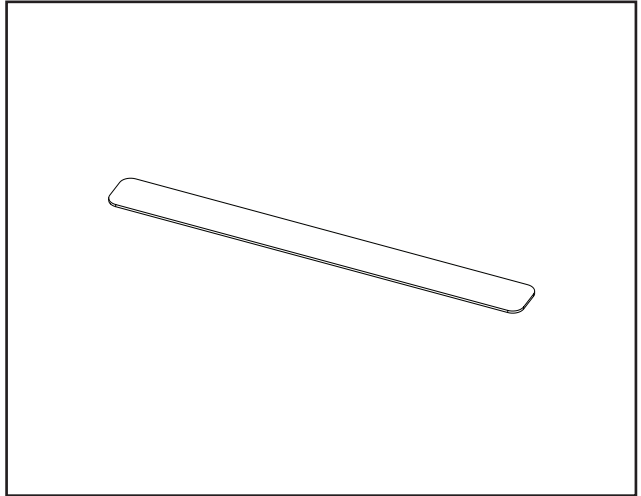


When installing a windmaster into a BAL area, care must be taken to ensure there are no gaps between the flashing and the roofing material greater than 3mm.

## Installation - *Attaching the fixing strap - Tile roof only*

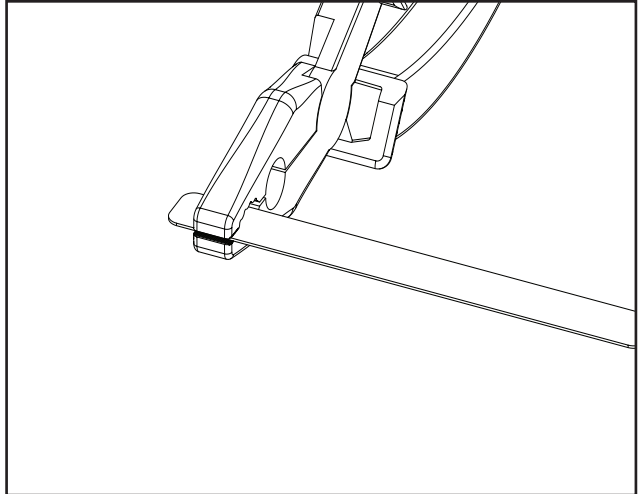
### STEP 1

Take the fixing strap from the windmaster box



### STEP 2

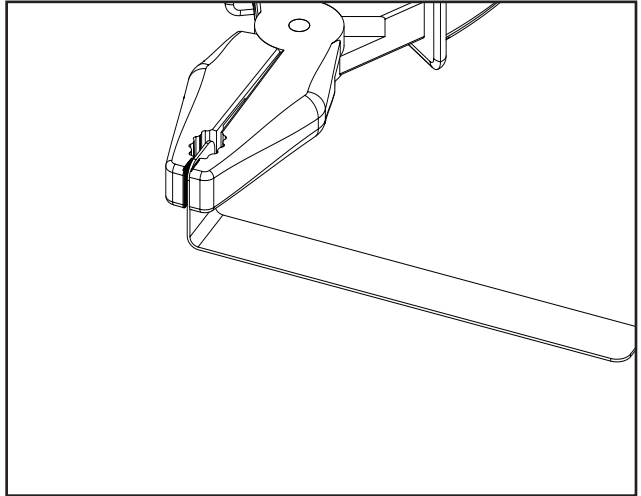
Using a set of pliers bend approximately 35mm of the strap up 90degrees.



## Installation - Attaching the fixing strap - Tile roof only

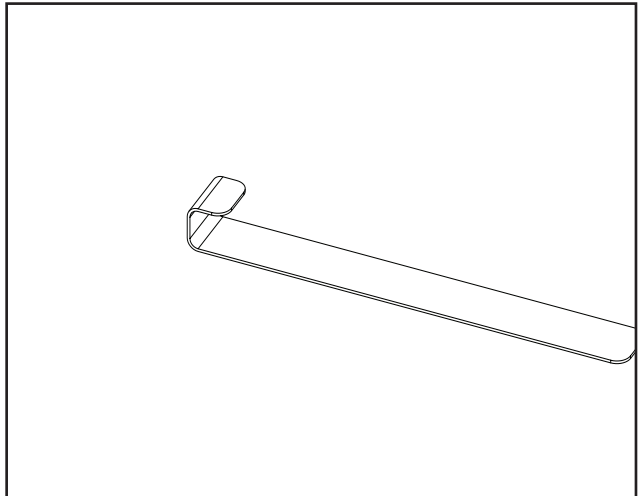
### STEP 3

Using the approach bend the tab in half again to form a hook.



### STEP 4

The fixing strap should now look like the following image

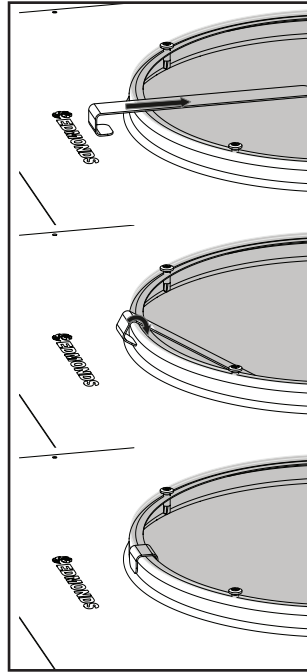


## Installation - Attaching the fixing strap - Tile roof only

### STEP 5

Take the fixing strap and slide it between the sparkguard mesh and flashing upstand. This should be done on the low side of the flashing.

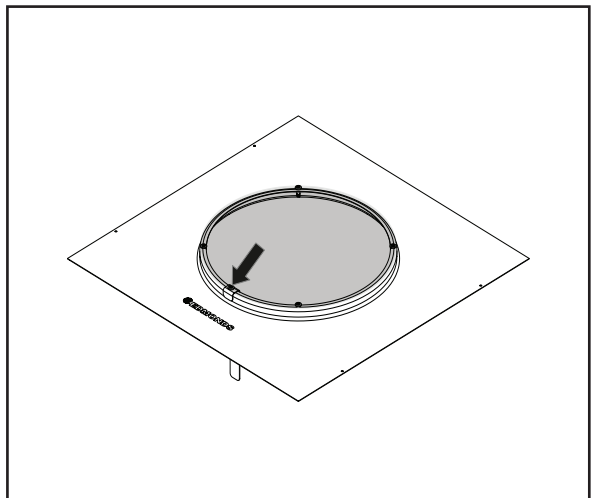
Keep inserting the strap until you can pivot it down and hook it over the flashing upstand.



### STEP 6

Secure the fixing strap with one of the supplied TEK screws.

The sparkguard installation is now complete for a tile roof and installation for the windmaster can proceed by following the standard windmaster installation instructions.



[bradfordventilation.com.au](http://bradfordventilation.com.au)

