

EcoPower® Hybrid Ventilator

Refer to product table below for applicable product codes covered by this document

Issue **C**

Product Type & Application

The Bradford EcoPower® Hybrid Ventilator is designed to exhaust heat and moisture from non-BAL residential (Class 1) and commercial roofs (Class 2 to 9). The product incorporates a vertical vane turbine ventilator to allow it to operate under wind power or via its high efficiency electronically commutated (EC) motor.

Compliance with the NCC

For use in Australia, when correctly specified and installed, this product provides the following compliance:

NCC2022

- **Weatherproofing** - Meets the requirements of the NCC 2022 Volume 1 Weatherproofing Performance Requirement F3P1 via Deemed-to-Satisfy (DtS) and performance solution pathways.

NCC2019

- **Weatherproofing** - Meets the requirements of the NCC 2019 Volume 1 Amend. 1 Weatherproofing Performance Requirement FP1.4 via Deemed-to-Satisfy (DtS) and performance solution pathways.

Evidence of Suitability

- Weatherproofing - Northrop Report SY222211-00 - RPFA1.

Limitations of Use

- **IMPORTANT** - Do Not Modify This Product: Compliance with the evidence of suitability data referenced in this document is only achieved by the product or configuration listed in this PTS.
- Do not use for exhausting hazardous, abrasive, acidic and alkaline vapour or areas containing explosive or corrosive materials.
- This product has not been tested for use in cyclonic wind regions C or D.
- This product is not suitable for use in Bush Fire BAL-12.5 to BAL-40 or BAL-FZ rated areas.
- The optional stainless-steel mesh available for use in this product as an insect guard does not comply with BAL requirements.
- Seek technical advice from Bradford Ventilation on application suitability if unsure.

Specific Design or Installation Instructions

- Isolate power before installation.
- **Caution:** The turbine head of this product can rotate without warning (even during installation) – always keep body parts away from moving components.
- **Safety:** It is recommended to connect EcoPower® ventilators to a D-curve electrical circuit breaker.
- This is a general-purpose hybrid ventilation product, always refer to the installation guidance provided with the product prior to installation.
- The table below shows the minimum make-up air requirement per ventilator that should be provided in accordance with AS1668.2

Product	Make-Up Air* per ventilator - 100% open, evenly distributed open area
EP400	≥ 0.3m ²
EP600	≥ 0.5m ²
EP900	≥ 0.9m ²

- Make-up air should be provided via evenly distributed openings which are permanently open and positioned to help the ventilator work more effectively and efficiently (refer to the product installation guide for guidance).
- The rotating head of this product must be installed horizontally to ensure correct operation – adjustment of the varipitch and base flashing is critical to achieve this orientation (refer to the installation guide for details).
- If the product is installed with a stainless-steel mesh, it should be periodically inspected to remove foreign objects and/or dust build-up to maintain airflow.
- This product requires specific areas to be sealed against water entry and other areas to be left unsealed to allow internal condensation drainage – refer to the installation guide for details.
- The size of the ventilator should be selected based upon the available roof area and required airflow performance.

For general installation guidance refer to the product installation guide at www.bradfordventilation.com.au

Conditions of Storage, Use & Maintenance

- Store in the original packaging in a cool and dry area.
- Do not attempt to repair – contact Bradford Ventilation for service advice.
- This product requires regular check for wear/tear.

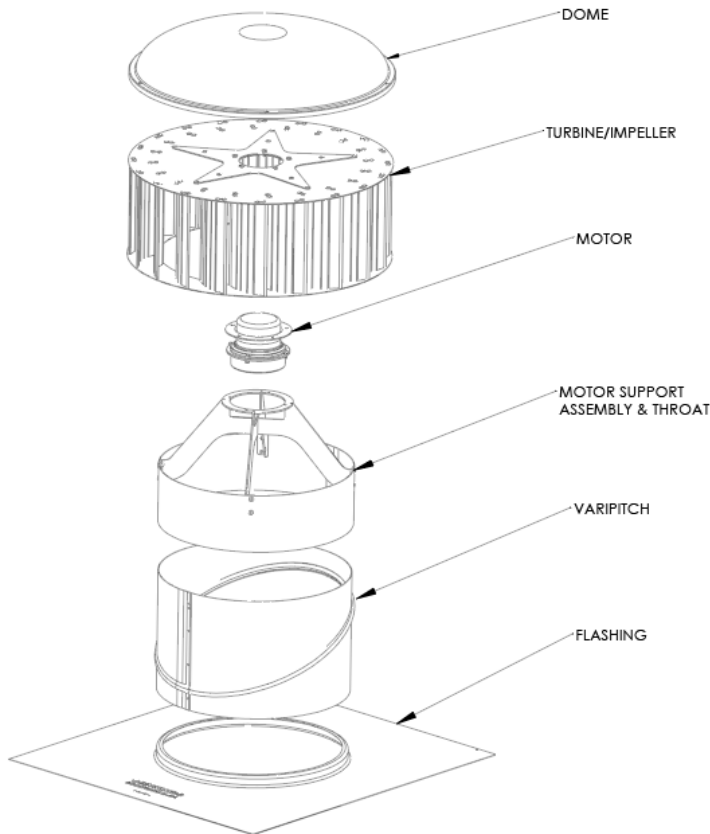
Refer to the product warranty at bradfordventilation.com.au for more information.

EcoPower® Hybrid Ventilator

Applicable Product Codes (SKU) – EcoPower® 400

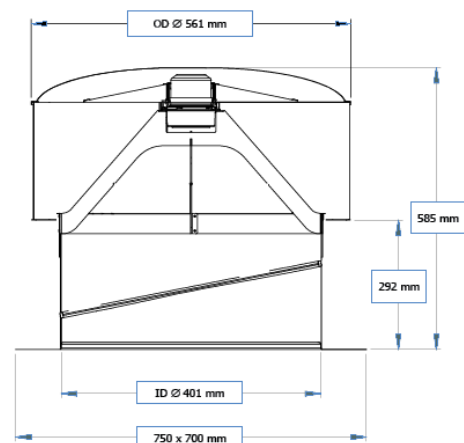
Variant	Material Code
EcoPower® 400 Mill Finish	167410
EcoPower® 400 Special	600678

Product Specifications (in exploded view) – EcoPower® 400



Product Information Summary – EcoPower® 400

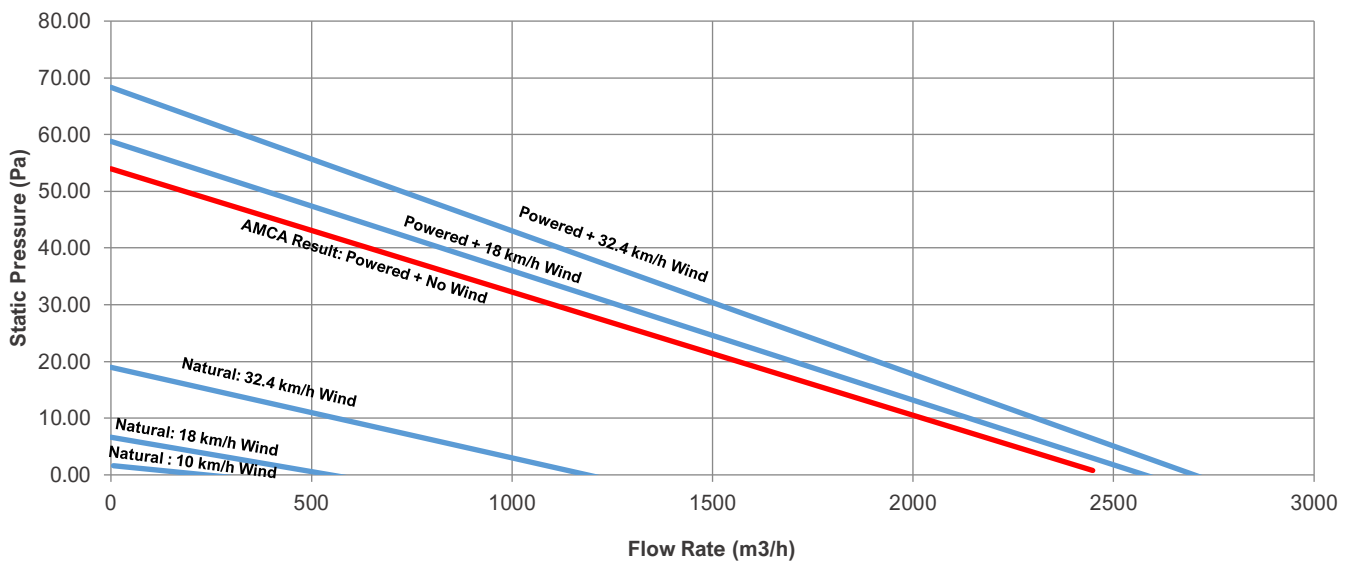
Electrical/General	
Voltage (V)	220-240
Frequency (Hz)	50-60
Pmax (W)	59.2
Imax (A)	0.55
Roof Opening Diameter (mm)	400
Weight (kg)	9.42
Max. Ambient Temp (°C)	60



EcoPower® Hybrid Ventilator

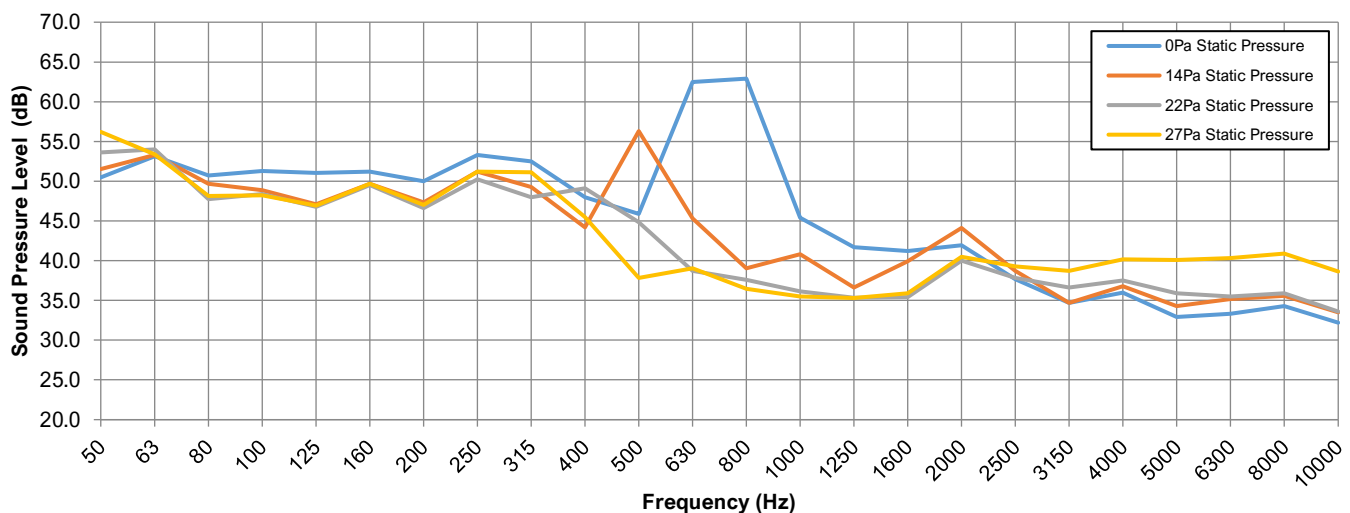
Performance Data – EcoPower® 400				
	Static Pressure (Pa)			
	0	14	22	27
RPM	344	1165	865	720
Flow Rate without Wind (m³/hr)	2484	1980	1476	1224
Power (W)	57	59	57	56
Sones	5.3	3.5	2.9	3.4
LwA (dB)	65	56	52	52

EcoPower® 400 Tested Characteristic Curves - Powered and Natural



Airflow rates are tested by AMCA in accordance with ISO5801, equivalent to AMCA Standard 210. Natural performance and wind assisted data is tested as per ISO5801 with an external wind source providing a constant source of wind across the specimen. Wind assisted tests performed by Edmonds on Edmonds in house test equipment. Wind assisted performance testing is outside the scope of AMCA's test standards.

EcoPower® Tested Sound Pressure Level : One-Third Octave



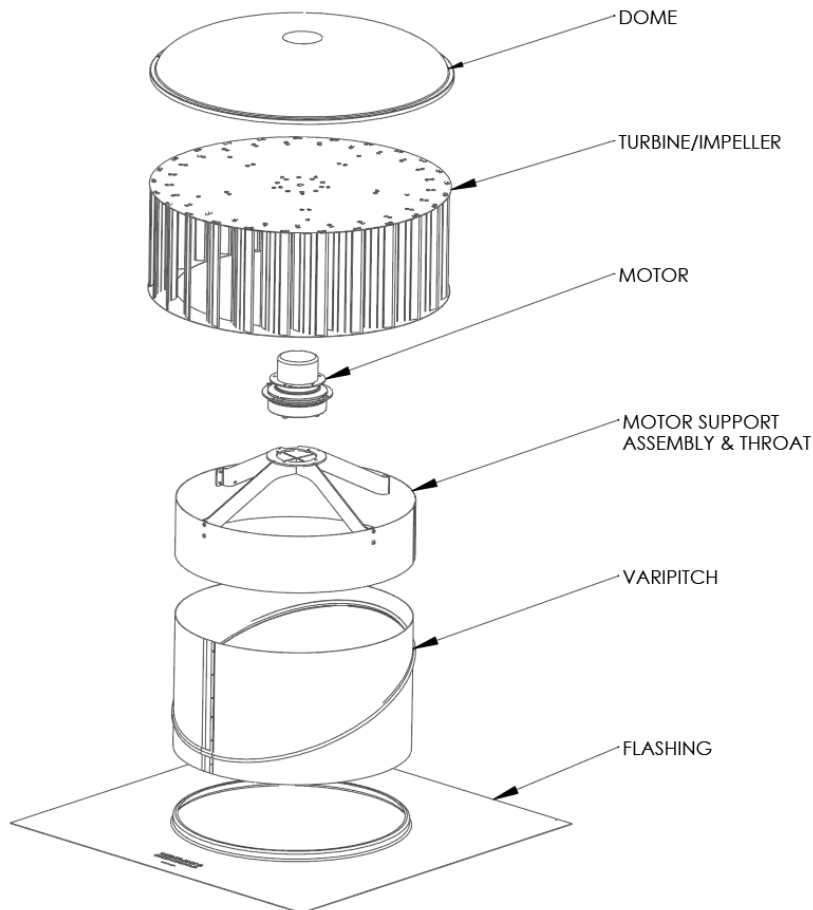
Testing was conducted by AMCA International. Product tested to AMCA Standard 300, Figure 2 Setup, Installation Type A, equivalent to ISO 13347.

EcoPower® Hybrid Ventilator

Applicable Product Codes (SKU) – EcoPower® 600

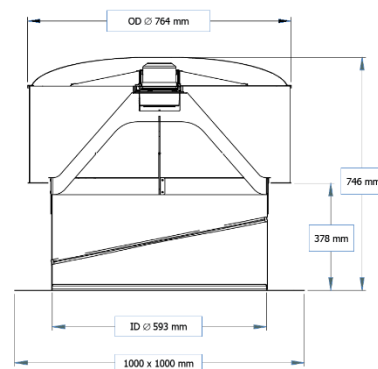
Variant	Material Code
EcoPower® 600 Mill Finish	181187
EcoPower® 600 Special	611679

Product Specifications (in exploded view) – EcoPower® 600



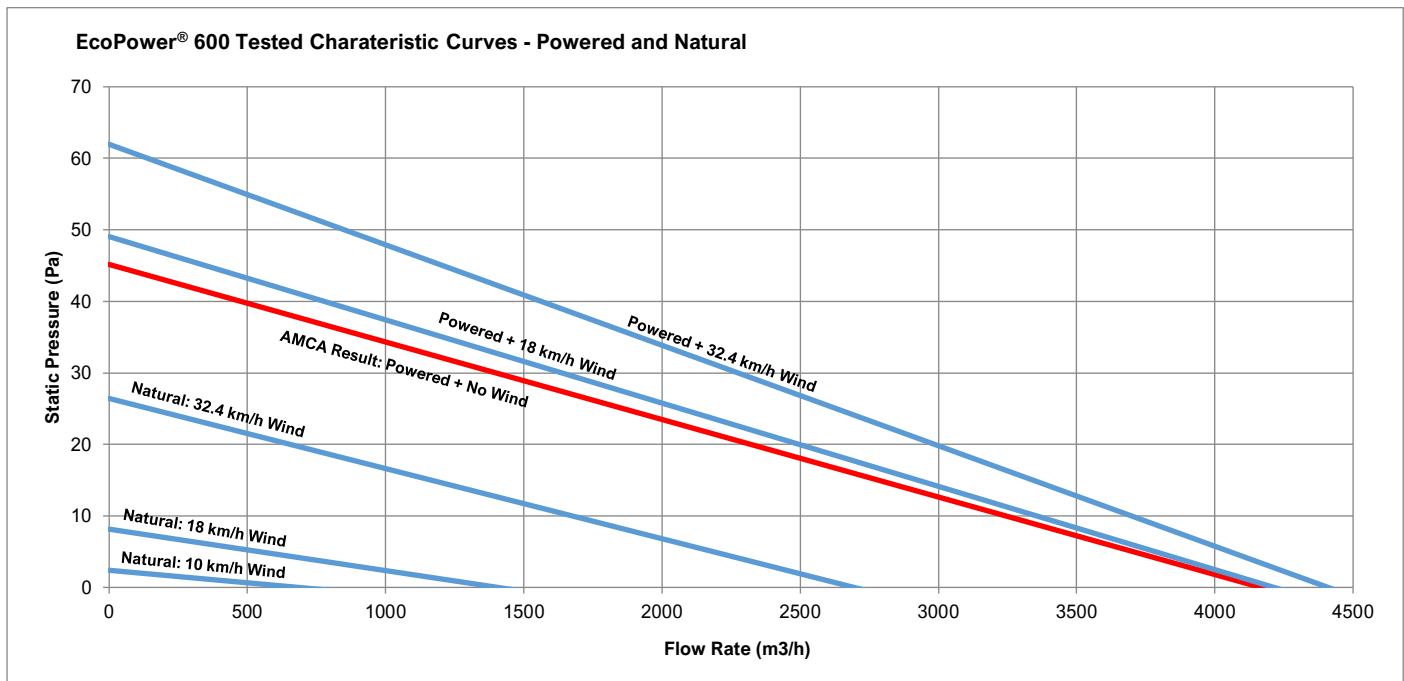
Product Information Summary – EcoPower® 600

Electrical/General	
Voltage (V)	220-240
Frequency (Hz)	50-60
Pmax (W)	98.8
I _{max} (A)	0.71
Roof Opening Diameter (mm)	600
Weight (kg)	18.14
Max. Ambient Temp (°C)	50

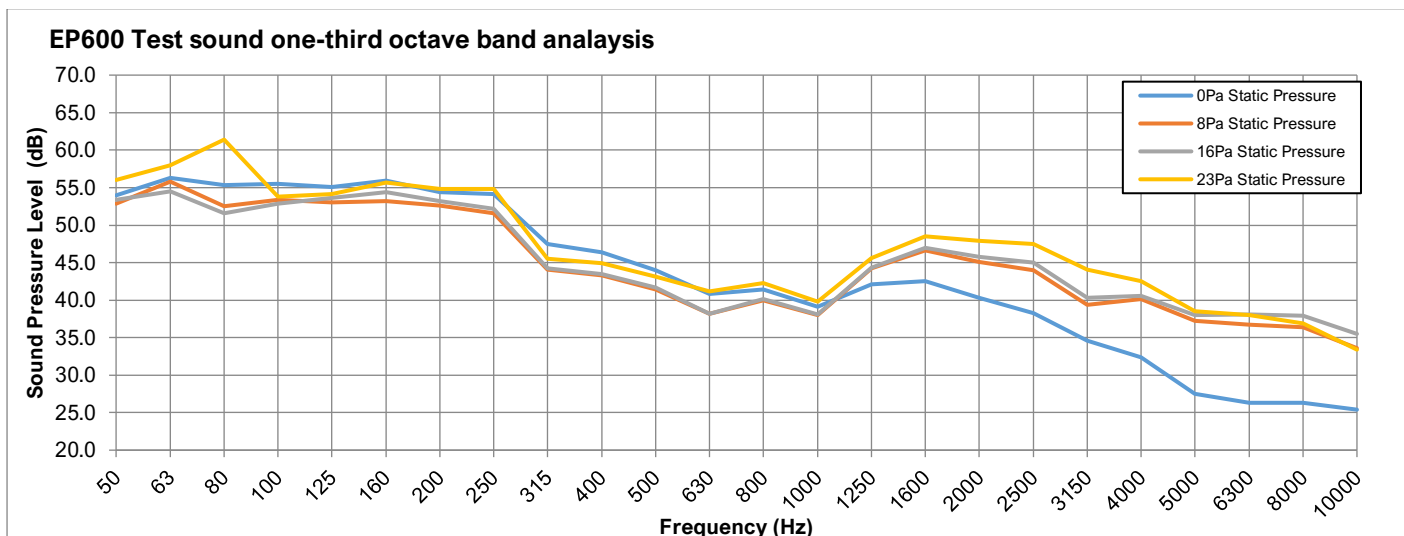


EcoPower® Hybrid Ventilator

Performance Data – EcoPower® 600				
	Static Pressure (Pa)			
	0	14	22	27
RPM	235	230	232	251
Flow Rate without Wind (m³/hr)	4356	3492	2592	1728
Power (W)	96.9	98.8	97.1	89.6
Sones	3.2	3.6	3.8	4.3
LwA (dB)	54	55	55	57



Airflow rates are tested by AMCA in accordance with ISO5801, equivalent to AMCA Standard 210. Natural performance and wind assisted data is tested as per ISO5801 with an external wind source providing a constant source of wind across the specimen. Wind assisted tests performed by Edmonds on Edmonds in house test equipment. Wind assisted performance testing is outside the scope of AMCA's test standards.



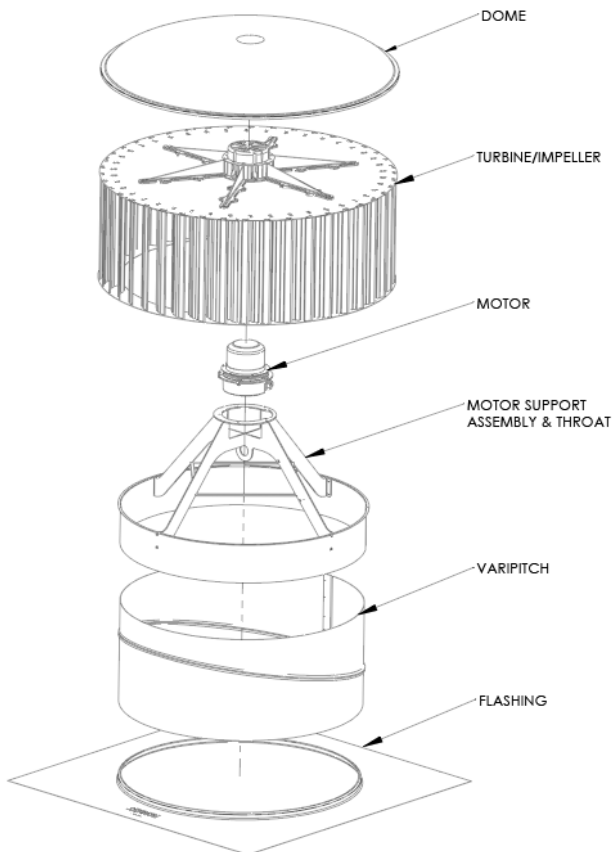
Testing was conducted by AMCA International. Product tested to AMCA Standard 300, Figure 2 Setup, Installation Type A, equivalent to ISO 13347.

EcoPower® Hybrid Ventilator

Applicable Product Codes (SKU) – EcoPower® 900

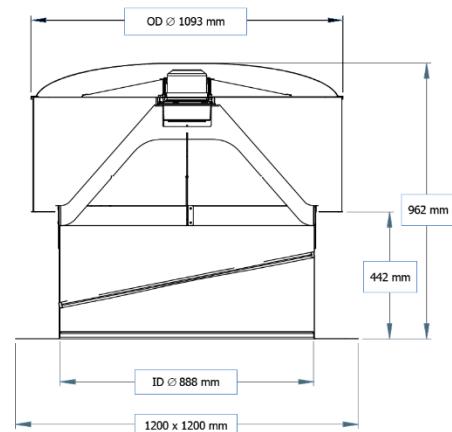
Variant	Material Code
EcoPower® 900 Mill Finish	93688
EcoPower® 900 Special	600680

Product Specifications (in exploded view) – EcoPower® 900



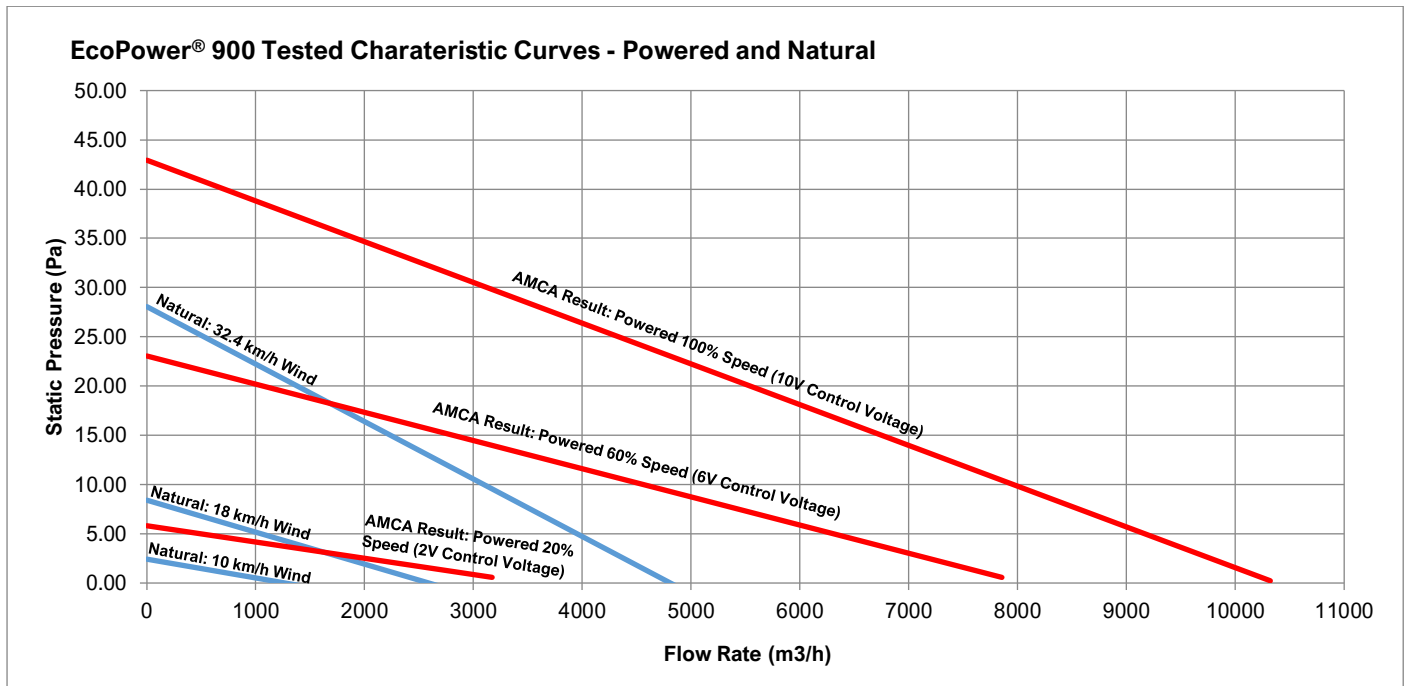
Product Information Summary – EcoPower® 900

Electrical/General	
Voltage (V)	220-240
Frequency (Hz)	50-60
Pmax (W)	212
Imax (A)	0.904
Roof Opening Diameter (mm)	900
Weight (kg)	36
Max. Ambient Temp (°C)	60

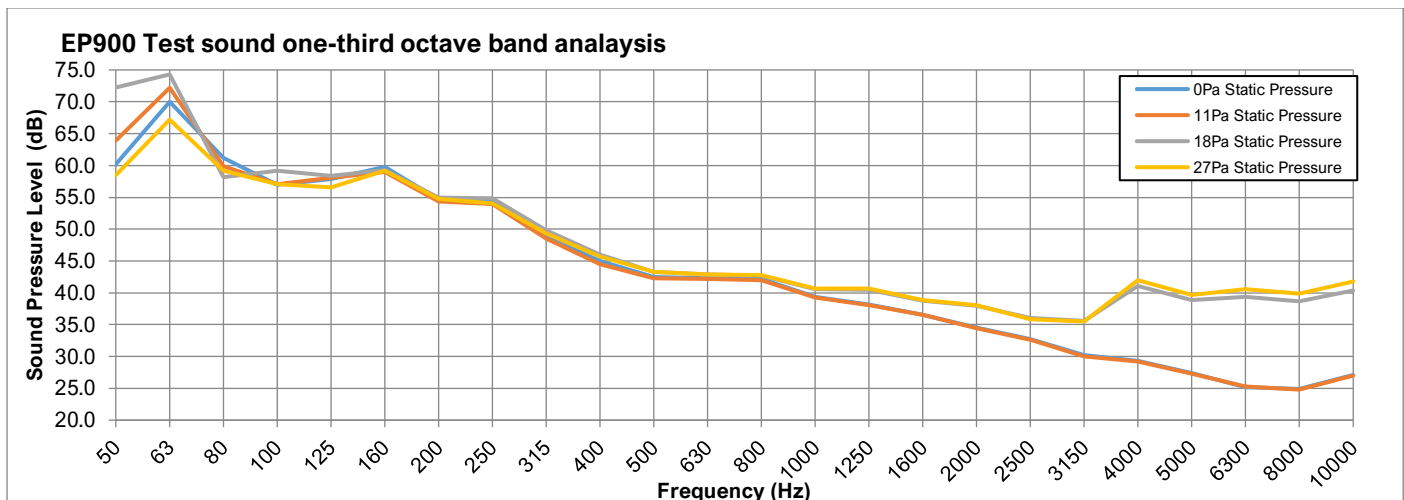


EcoPower® Hybrid Ventilator

Performance Data – EcoPower® 900				
	Static Pressure (Pa)			
	0	14	22	27
RPM	168	168	170	189
Flow Rate without Wind (m³/hr)	10321	8272	6112	3650
Power (W)	204	212	207	172
Sones	3.4	3.6	4.9	4.2
LwA (dB)	54	54	56	55



Airflow rates are tested by AMCA in accordance with ISO5801, equivalent to AMCA Standard 210. Natural performance and wind assisted data is tested as per ISO5801 with an external wind source providing a constant source of wind across the specimen. Wind assisted tests performed by Edmonds on Edmonds in house test equipment. Wind assisted performance testing is outside the scope of AMCA's test standards. *Standard fixed speed EP900 operates at 10V. **2V and 6V curves only applicable if EP900 0-10V variable speed is optioned.



Testing was conducted by AMCA International. Product tested to AMCA Standard 300, Figure 2 Setup, Installation Type A, equivalent to ISO 13347.