

PRODUCT DESCRIPTION

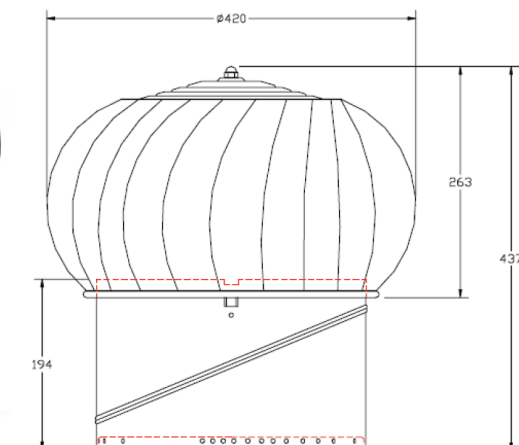
A wind driven ventilator made from aluminium that provides roof space ventilation.

APPLICATIONS

Roof Space ventilation for houses and sheds with metal or tiled roofs.

BENEFITS

Removing warm/stale air and moisture from roof space or sheds. Replaceable bearings.



SKU TABLE

Classic Cream	61151	Paperbark	61152	Cove	125754	Gully	125751
Loft	90674	Surfmist	61143	Evening Haze	90673	Mangrove	125755
Pale Eucalypt	61147	Wilderness	61150	Cottage Green	61148	Headland	61145
Jasper	61161	Terrain	125753	Manor Red	61146	Shale Grey	61155
Dune	61153	Windspray	61154	Basalt	125752	Wallaby	125756
Woodland Grey	61149	Deep Ocean	61159	Ironstone	61166	Monument	90675
Night Sky	61144	Mill	61141				

PHYSICAL PROPERTIES

Accessories	Stainless steel ball bearings
Turbine	5005 Aluminium
Dome	Aluminium
Bearings	Twin 608ZZ ball bearings (high carbon chromium steel)
Shaft	Zinc passivate plated mild steel
Internal Support Ring/Brackets/Housings	Glass filled nylon main bearing housing, Aluminium and Polycarbonate supports
Varipitch	5005 Aluminium
Flashing	500x500x0.7mm soft 5005 aluminium
Weight - Top	1.1kg
Weight - Varipitch	0.4kg
Weight - Flashing	0.4kg
Weight - Total	1.9kg
Wind Speed Rating	158.4 km/h
Warranty	15 years