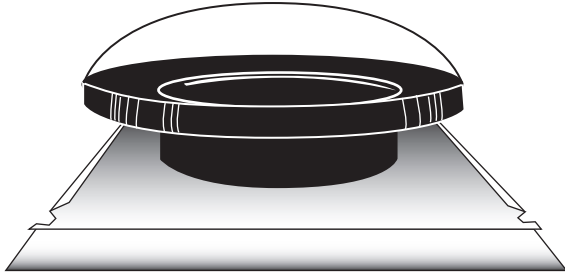


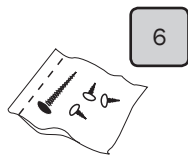
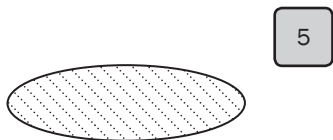
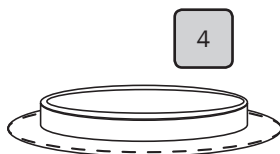
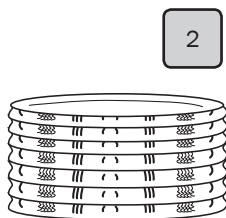
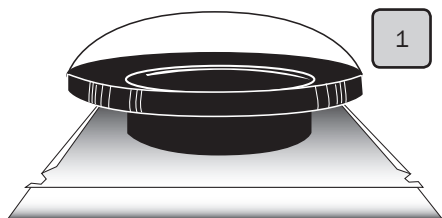
SolaBrite 300 & 400

Product Installation Guide



Item Checklist For Installation

Included Parts:	Qty:
1 Acrylic Dome with Flashing	1
2 Flexitube	1
3 Reflector Ring	1
4 Ceiling Frame	1
5 Diffuser	1
6 Screw Pack	1
7 Duct Tape	1



Warnings and Important Notices

WARNING: Do not proceed with the installation until you have read the entire instructions, including these warnings.

INSTALL AT YOUR OWN RISK

The installation of this product involves working at heights on a sloping surface and may be dangerous which includes the potential of death, personal injury or property damage. Please be aware of the following before installing this product.

- Follow the state or territory regulator OH&S guidelines for working at height (e.g. Roof work), electrical, working in elevated temperatures (e.g. roof space in summer).
For more information on your state's OH&S guidelines for working at heights, please refer to: <https://www.safeworkaustralia.gov.au/heights>
- Installation requires climbing and working at heights. Use caution to minimise risks by:
 - Clearing the area below the workspace
 - Not walking on surfaces that are slippery, wet or dusty
 - Using appropriate equipment: harness, tie off ladders, enclosed shoes, etc
- DO NOT attempt to install if you are uncomfortable with working at heights or on sloping roof surfaces
- There are sharp edges on the flashing, cut tiles, roof sheeting etc. Take care and wear personal protective equipment when handling and installing products
- When installing eave vents be careful to determine that the eave cladding material does not contain asbestos. If it does or you cannot determine the material, then the eave vent should only be installed using correct asbestos handling procedures by a person trained and/or licensed to handle asbestos.

Warnings and Important Notices

- The SolaBrite is designed for general residential household only.
- This product is not suitable for bushfire (BAL) rated areas.
- Recommended positioning (to minimise the risk of water ingress during rain periods)

Metal Roof: Ideally at the ridge cap but no lower than 1.2m from the ridge cap.

Tiled Roof: Minimum third row of tiles from the ridge cap to a maximum of the fourth row of tiles from the ridge cap.

Ceiling Frame Installation

STEP 1

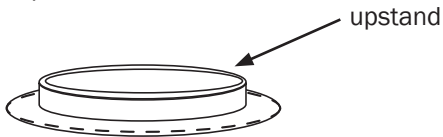
Firstly decide approximately the location of the SolaBrite diffuser. Check inside the roof space to ensure it is clear of obstructions such as wiring, water pipes, structural timbers etc. Check also that there is a clear area of roof above the ceiling, away from the valleys, hips and ridges.

STEP 2

Measure the centre between joists and tap a nail through the ceiling to mark the centre of the installation.

STEP 3

Hold the ceiling frame up to the ceiling and mark around the outer edge of the upstand keeping the protruding nail in the centre of the frame. Cut along the pencil line with a suitable saw.



STEP 4

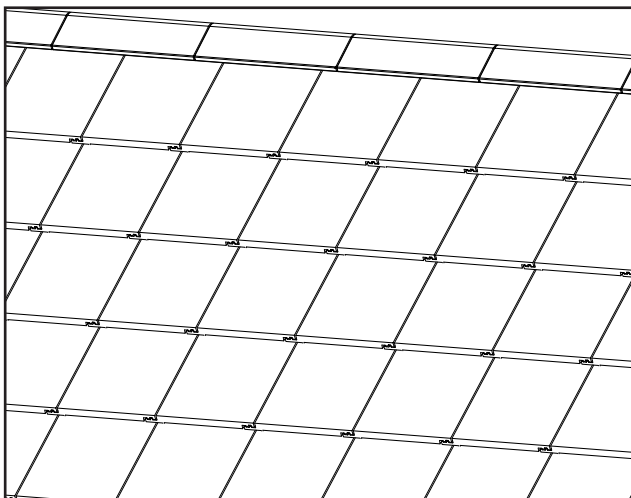
Remove the blue adhesive film from the ceiling frame and the clear film from the reflector tube. Insert the ceiling frame with the long screws through the opening and secure with the plastic nuts.

Installation - Tiled Roof

STEP 1

Directly above the ceiling hole, select a suitable position for the SolaBrite on the roof and it should be no higher than the third row of tiles down from the ridge.

Take care to check that there are no obstructions below the tile such as a rafter.



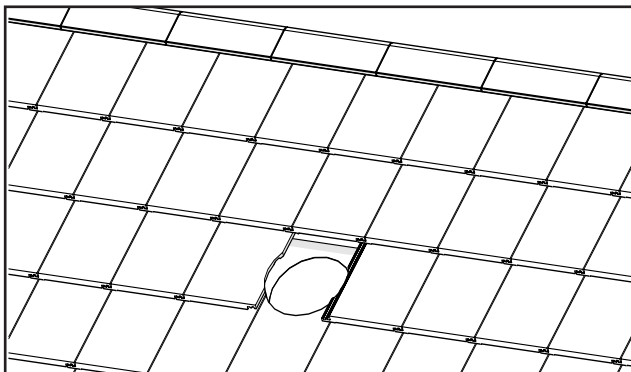
The removal of a tile higher than the third row down from the ridge may damage the ridge tile pointing and is NOT recommended.

Recommended SolaBrite Positioning - Minimum third row of tiles from the ridge cap to a maximum of the fourth row of tiles from the ridge

STEP 2

Position the SolaBrite in the desired location and mark the tile to be removed and cut using the flashing hole as template.

Ensure that the product orientation is correct (refer to the sticker on flashing).



If a complete tile is removed, then care must be taken to dress the flashing to ensure a weather tight installation.

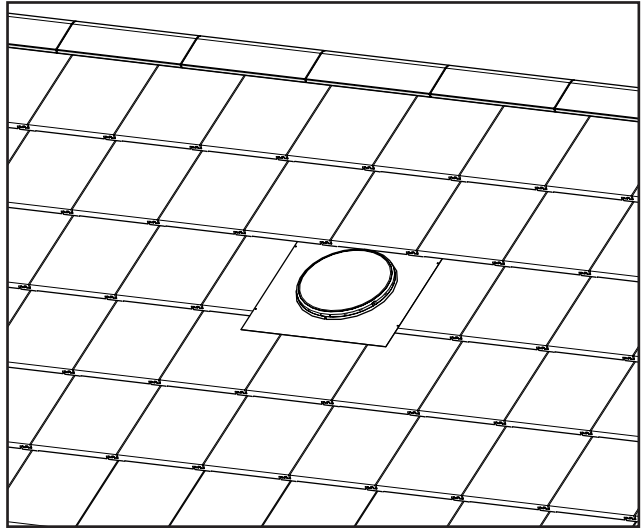
Installation - Tiled Roof

STEP 3

Fold up the top edge of the flashing before tucking it into the tiles.

Fold and form the bottom edge of the flashing to seal against the tiles below.

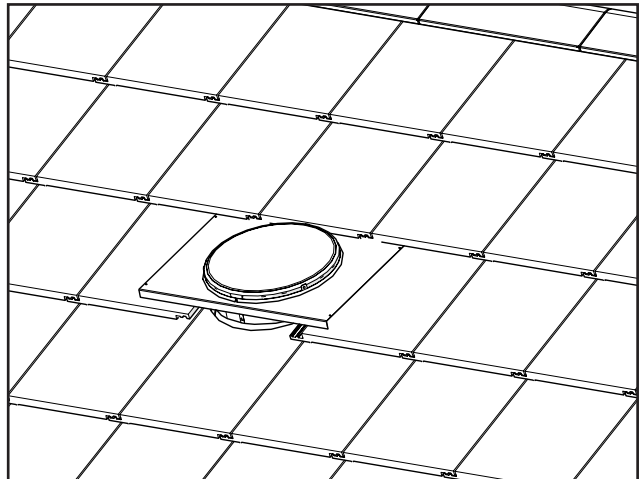
Using a soft hammer, carefully dress the bottom edge and the sides of the flashing into the shape of the tiles.



STEP 4

Weatherproof the flashing by applying sealant underneath the flashing.

To apply, lift the formed flashing and run a bead 3-5mm in from the edge of the flashing edge on the roof sheeting. Then fit the flashing.



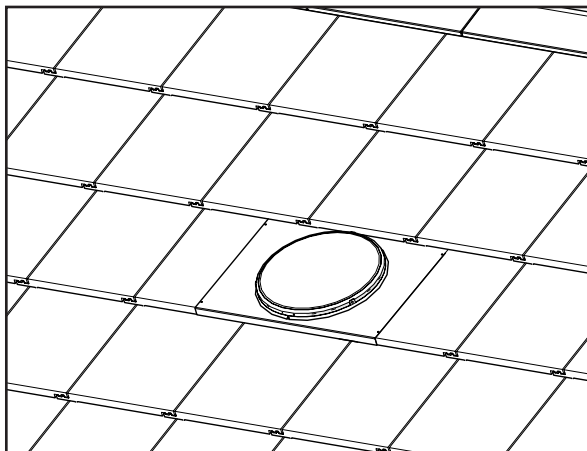
Installation - Tiled Roof

STEP 5

Remove the clear protective film from inside of the flue. Drop the flexitube through the hole in roof and slide base flashing into position.

Fix the flexitube to the flue underneath the flashing using the stainless steel tabs bent outwards. Seal with the duct tape provided.

Fit the SolaBrite into place and ensure surrounding tiles are fitted securely.



STEP 6

From inside the ceiling pull the flexible tube tightly and cut off excess length. Secure the tube to the reflector ring on the diffuser by bending the push out tabs and sealing with the duct tape provided.

Installation - Metal Roof

STEP 1

From the underside of the metal roof decide approximately where you would like your solabrite. Punch a hole through the center of the desired position.



Ensure that the flashing covers the roof corrugations or ribs equally and that it is located between roof rafters.

Recommended Vent Positioning - Ideally at the ridge cap but no lower than 1.2m from the ridge cap.

Backflashing required if product assembled away from the ridge cap

STEP 2

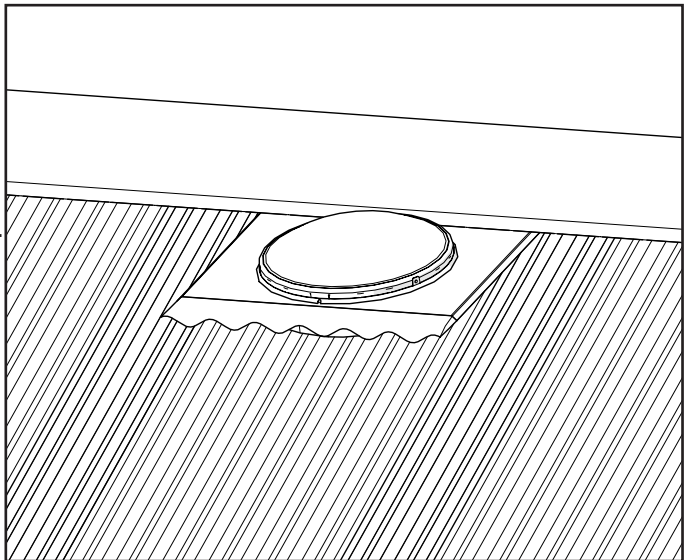
Cut the metal roof slightly larger than flexitube. Turn up the corrugations or pans on both the low and high sides. This will help to prevent water ingress.

STEP 3

Return the SolaBrite to the roof, positioning it over the cutout. Ensure that the top of the flashing is slipped under the ridge capping.

Turn up the top edge of the flashing before slipping under ridge capping. This will help prevent water ingress.

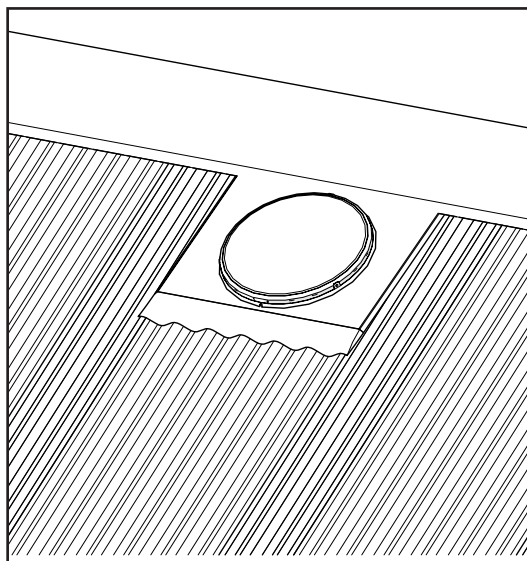
Ensure that the product orientation is correct. (refer to the sticker on flashing).



Installation - *Metal Roof*

STEP 4

Using a soft rubber hammer, carefully work around the sides and lower edge of the flashing to form it into the corrugations of the metal sheeting profile.



STEP 5

To assist with weatherproofing a bead of silicone sealant can be applied between the sheeting and the side and bottom edge of the flashing.

To apply, lift the formed flashing and run a bead 3-5mm in from the edge of the flashing edge on the roof sheeting. Then fit the flashing.

STEP 6

From inside the ceiling drop the diffuser into place and press to engage in diffuser rest if used [see step 4 in Ceiling Frame Installation section]. Pull flexitube and cut length before securing it to the reflector ring with duct tape.

Installation - Metal Roof

Additional Illustration

