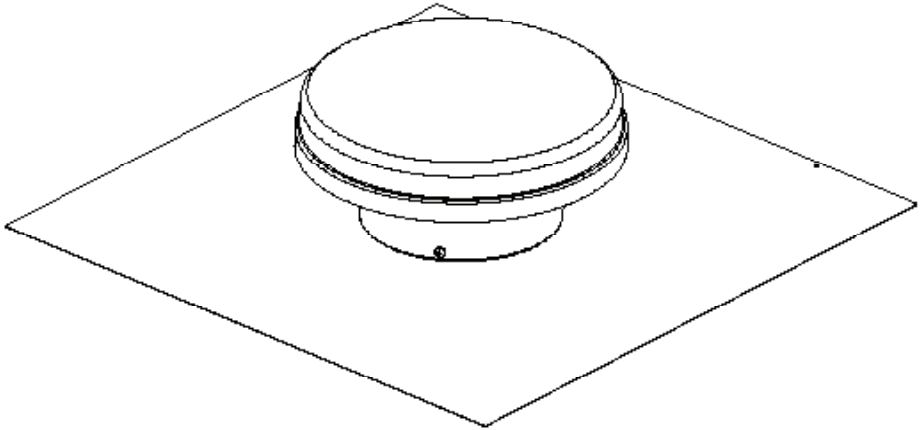


Roof Valve

Installation Guide

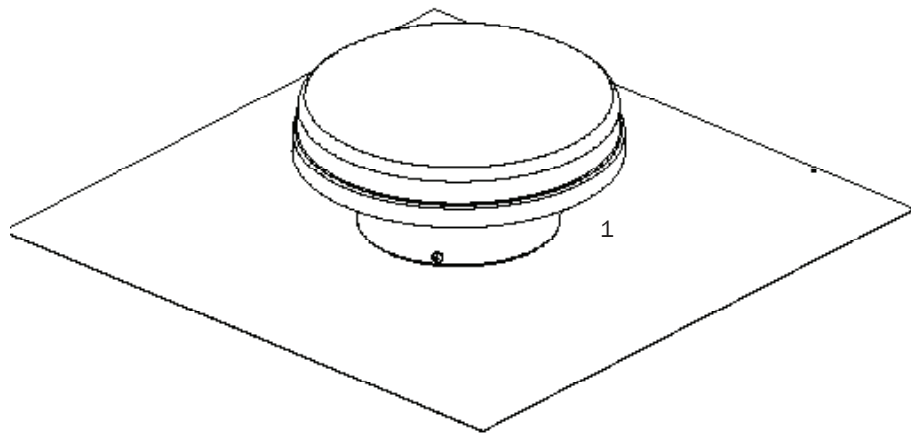


Item Checklist & Additional Tools Required For Installation

Included Parts:		Qty:
1	Roof Valve	1
2	Flashing	1

Additional Parts & Tools Required (Not Supplied)

Soft Rubber Hammer
Caulking Gun
Silicone Sealant
Angle grinder with cutting disc (Tile roof only)
Screw/Nail for fastening Fixing Strap (Tile roof only)
Knife (Sarked roof only)
Foil Tape (Sarked roof only)
Marker Pen
Nibbler or Similar Cutting Tool (Metal roof only)
10 x 10G Tek Screws or Sealed Rivets (Metal roof only)



2

Warnings and Important Notices

WARNING: Do not proceed with the installation until you have read the entire instructions, including these warnings.

INSTALL AT YOUR OWN RISK

The installation of this product may be dangerous and includes the potential of death, personal injury or property damage. Please be aware of the following before installing this product.

- Follow the state or territory regulator OH&S guidelines for working at height (e.g. Roof work), electrical, working in elevated temperatures (e.g. roof space in summer). For more information on your state's OH&S guidelines for working at heights, please refer to: <https://www.safeworkaustralia.gov.au/heights>
- Installation requires climbing and working at heights. Use caution to minimise risks by:
 - Clearing the area below the workspace
 - Not walking on surfaces that are slippery, wet or dusty
 - Using appropriate equipment: harness, tie off ladders, enclosed shoes, etc
- DO NOT attempt to install if you are uncomfortable with working at heights or on sloping roof surfaces
- There are sharp edges on the flashing, cut tiles, roof sheeting etc. Take care and wear personal protective equipment when handling and installing products
 - When installing eave vents be careful to determine that the eave cladding material does not contain asbestos. If it does or you cannot determine the make up, then the eave vent can only be installed using correct asbestos handling procedures by a person trained and/or licensed to handle asbestos.
- The Roof Valve is designed for general household ventilation only. DO NOT use to exhaust hazardous or explosive materials and vapours.
- This product is not suitable for bushfire (BAL) rated areas.

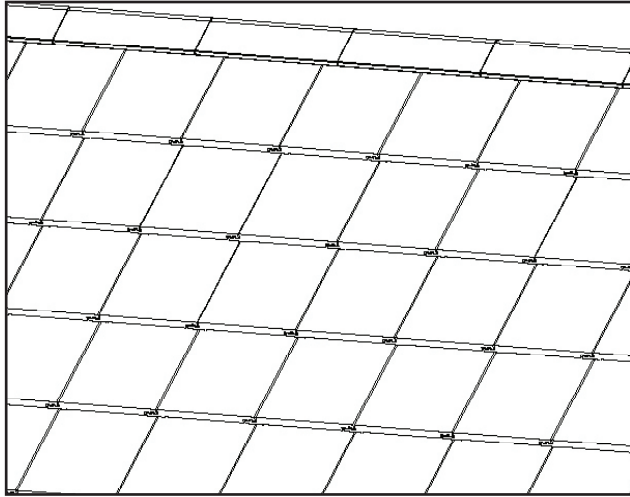
Installation - Tiled Roof

STEP 1

Select a suitable position for the ventilator on the roof no higher than the third row of tiles down from the ridge.

Take care to check that there are no obstructions below the tile such as a rafter.

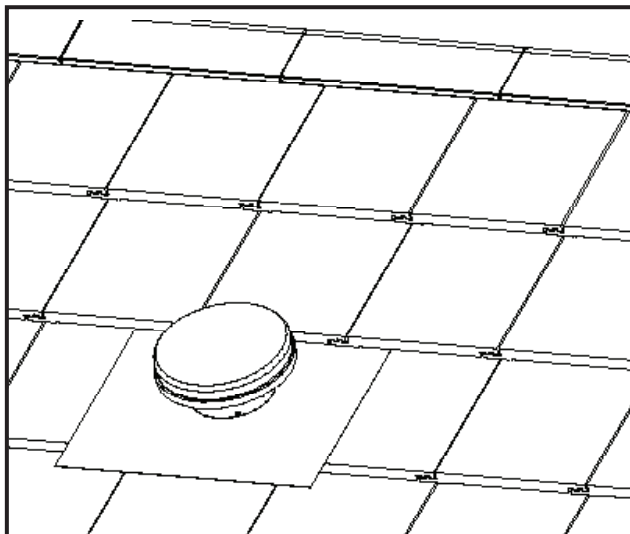
The location should not be frequently shaded and should be north facing.



The removal of a tile higher than the third row down from the ridge may damage the ridge tile pointing and is NOT recommended.

STEP 2

Position the ventilator in the desired location to determine which tile needs to be removed and cut.

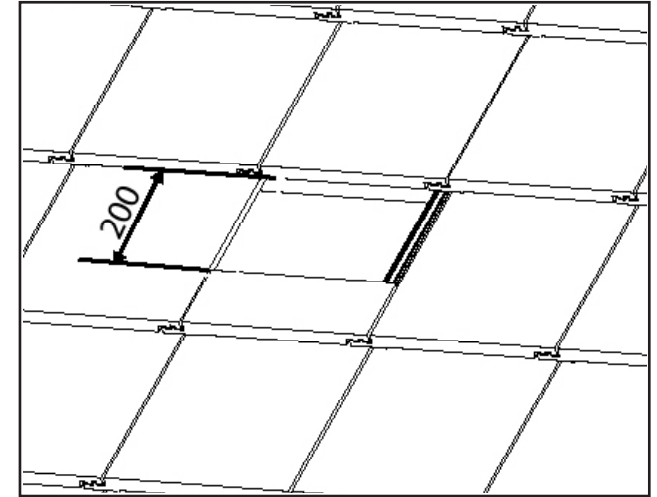


Installation - Tiled Roof

STEP 3

Remove a single complete tile as required.

Cut this tile and return the lower portion to the roof. Allow an opening of approximately 200mm. This replaced tile portion will allow for an easier weather proof installation.

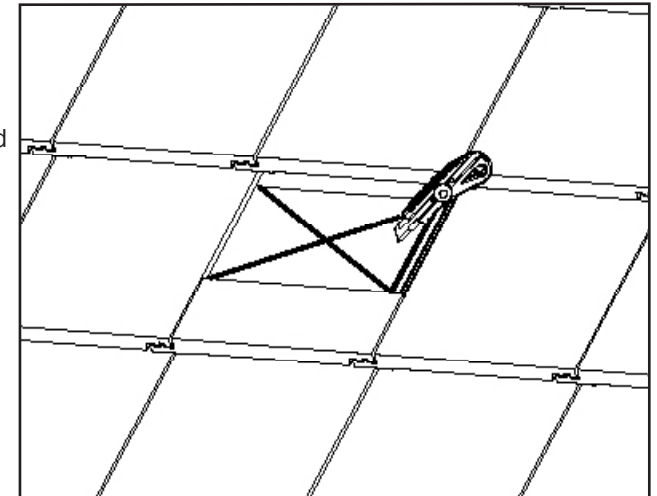


If a complete tile is removed, then care must be taken to dress the flashing to ensure a weather tight installation.

STEP 4

If the roof is sarked, cut sarking in a cross and fold back onto itself to give a 180mm opening.

Tape the corners to the surrounding sarking with foil tape to prevent them fouling the ventilator.



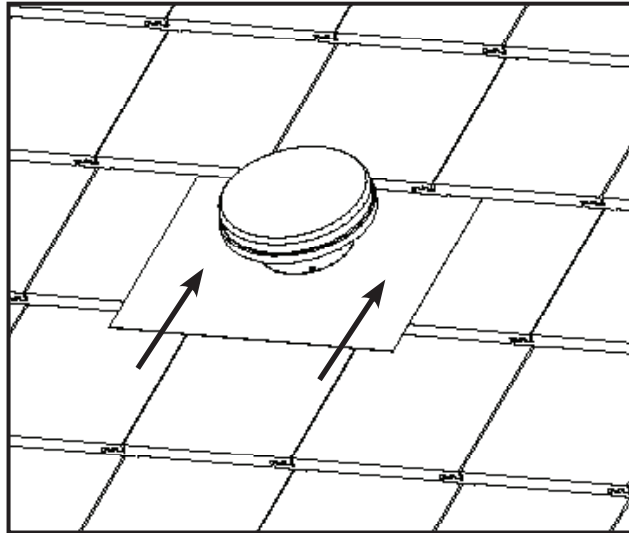
Folding the cut sarking flaps back on themselves results in a gutter arrangement that helps to prevent any water running down the sarking from entering through the opening.

Installation - Tiled Roof

STEP 5

Fit the ventilator into place and ensure surrounding tiles are fitted securely.

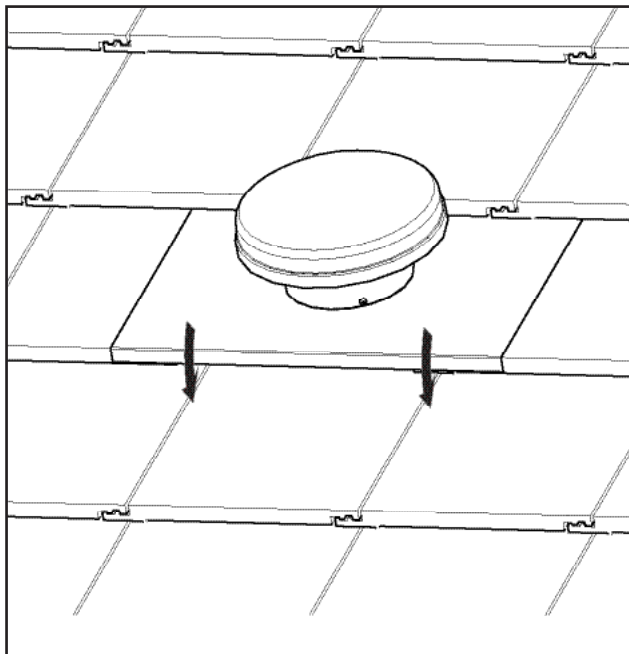
Ensure roof vale is positioned over the opening in the tiles.



STEP 6

Fold and form the front edge of the flashing to seal against the tiles below.

Using a soft hammer, carefully dress the front and sides of the flashing into the shape of the tiles.

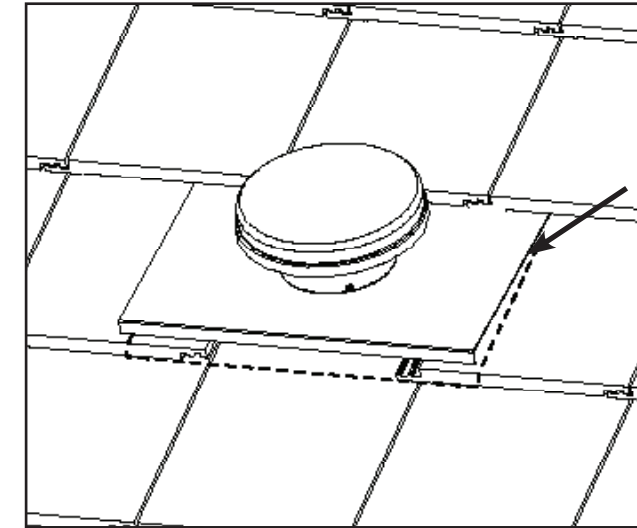


Installation - Tiled Roof

STEP 7

To assist with weather-proofing, a bead of silicone sealant can be applied between the tiles and the side and front edges of the flashing.

To apply, lift the formed flashing and run a bead 3-4mm in from the edge of the flashing edge on the roof tile. Then fit the flashing.



Turning the rear of the flashing upwards allows it to act as a gutter to prevent any wind driven water from entering the roof space.

Installation - Metal Roof

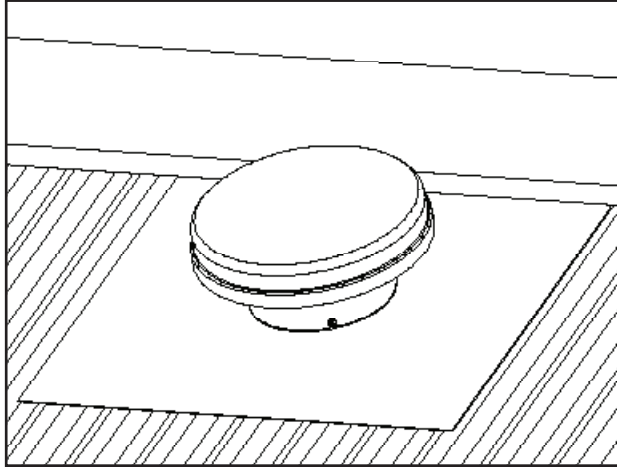
Note: Ridge capping screws may need to be removed whilst performing installation. Upon completion, return the fixing screws to the previous positions

STEP 9

Select a suitable position for the ventilator.

Slip the top edge of the flashing under the ridge cap and mark position.

To install the vent lower down the roof, appropriate backflashing must be installed, extending back to the ridge capping.

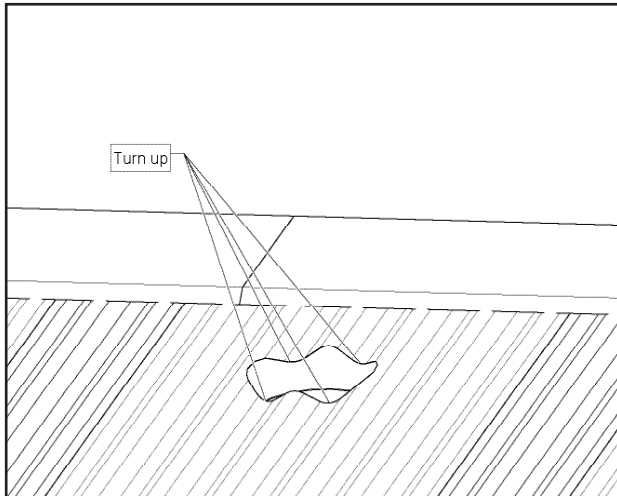


Ensure that the flashing covers the roof corrugations or ribs equally and that it is located between roof rafters.

STEP 10

Remove the ventilator and cut a 150mm square or round opening around the centre of the position marks.

Turn up the corrugations or pans on both the low and high sides. This will help to prevent water ingress.

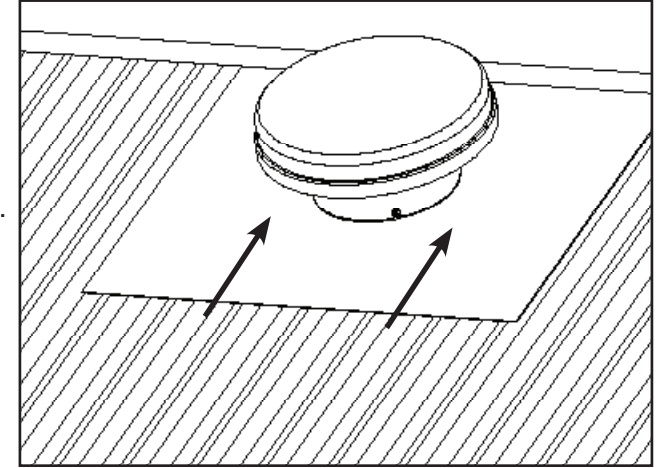


Installation - Metal Roof

STEP 11

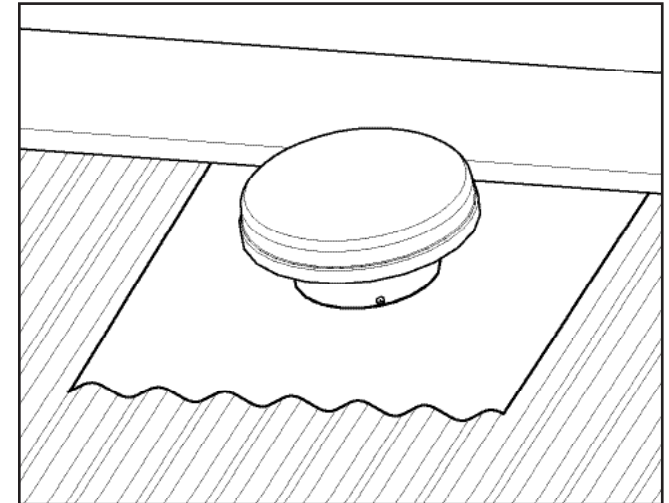
Return the ventilator to the roof, positioning it over the cutout. Ensure that the top of the flashing is slipped under the ridge capping.

Turn up the top edge of the flashing before slipping under ridge capping. This will help prevent water ingress.



STEP 12

Using a soft rubber hammer, carefully work around the sides and lower edge of the flashing to form it into the corrugations of the metal sheeting profile.

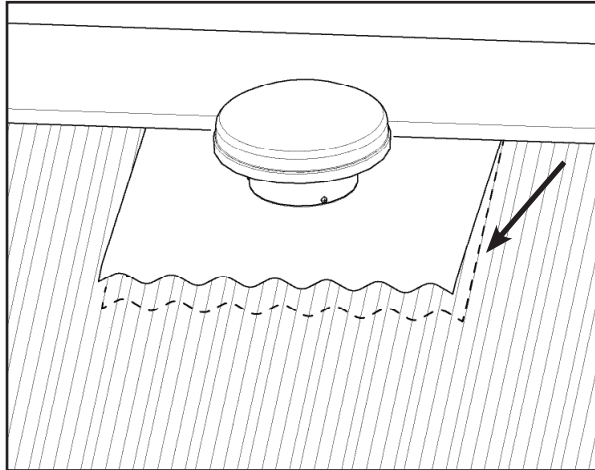


Installation - Metal Roof

STEP 13

To assist with weather-proofing a bead of silicone sealant can be applied between the sheeting and the side and front edges of the flashing.

To apply, lift the formed flashing and run a bead 3-4mm in from the edge of the flashing edge on the roof sheeting. Then fit the flashing.

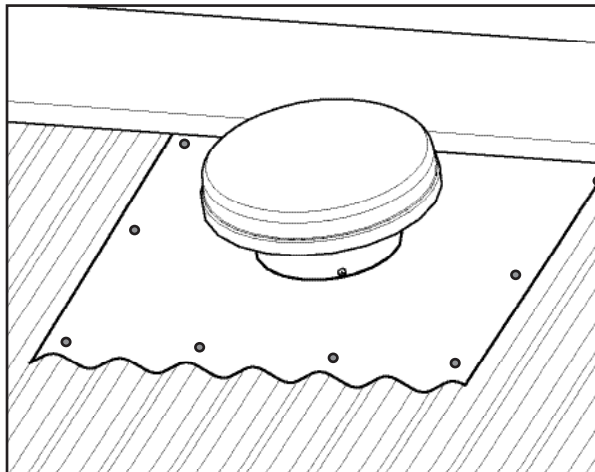


STEP 14

Secure the flashing to the metal sheeting with Tek screws or sealed rivets along the 3 exposed edges of the flashing.

Fix into the top of the metal sheeting profile to ensure a weatherproof installation

Approximately 8 screws required (not supplied)



For more information regarding this product, visit bradfordventilation.com.au

