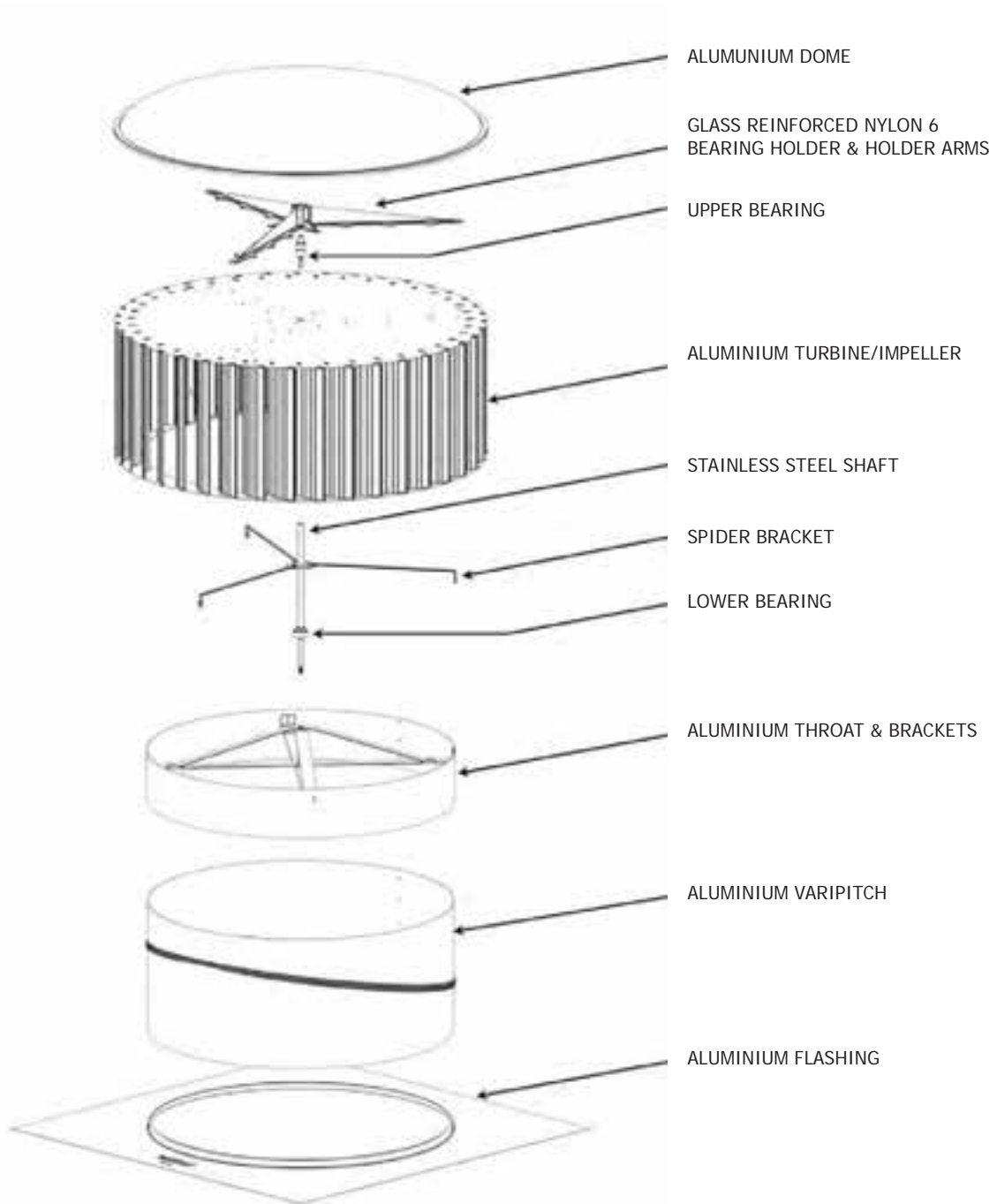


EXPLODED VIEW

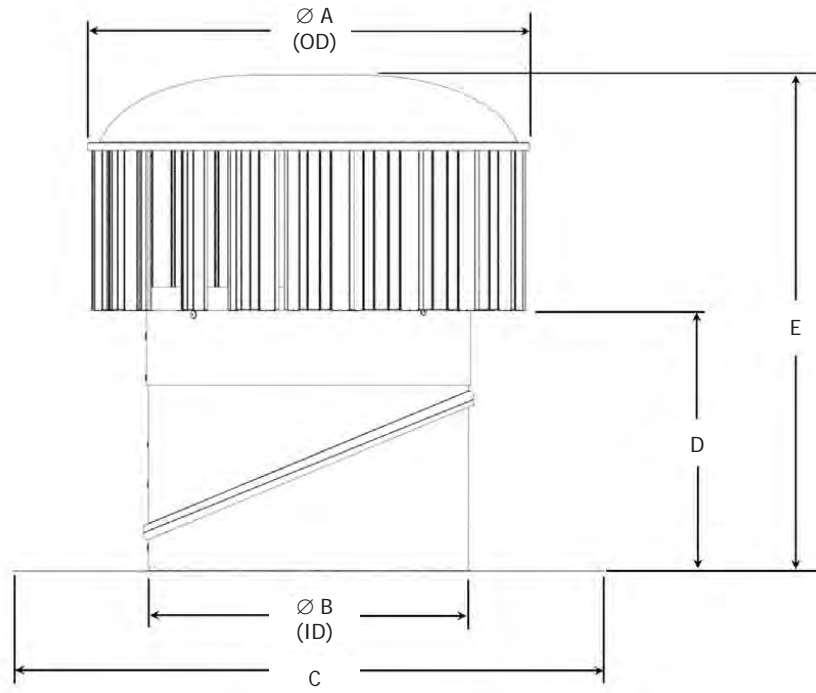
Model FR900



PRODUCT DIMENSION & WEIGHT

Model FR900

Turbine, Varipitch and Flashing¹



A : Overall turbine diameter B : Internal diameter of flashing opening C : Flashing Overall
D : Clearance flashing to turbine E : Overall Height

In Metric Units

Model	Dimensions* (mm)					Weight kg
	ØA	ØB	C	D	E	
HI 900	1096	891	1200 x 1200	421	936	24.10

* Tolerance is within +/- 5mm and +/- 0.5kgs

In Imperial Units

Model	Dimensions# (inches)					Weight lb
	ØA	ØB	C	D	E	
HI 900	43.1	35.08	47.2 x 47.2	17	36.9	53.13

Tolerance is within +/- 0.2 inches and +/- 1.1lbs

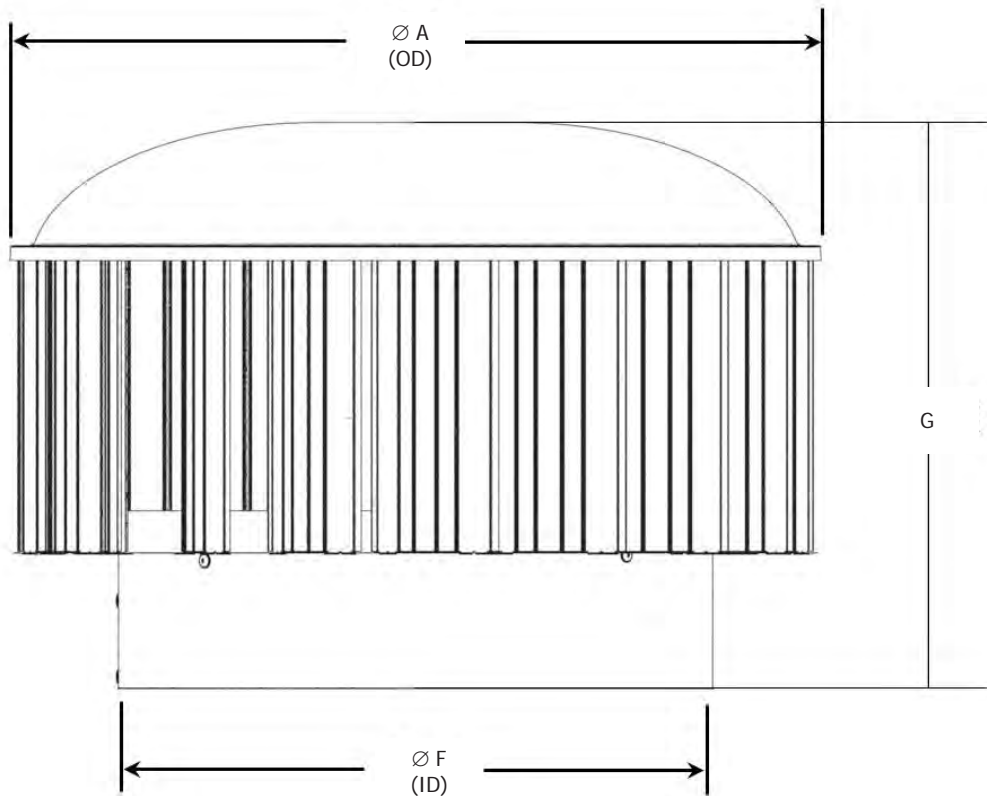
¹ The Hurricane throat overlaps the Varipitch. The height listed above is with the maximum overlap (lowest overall height). Revolving the Varipitch to suit a roof slope also reduces the complete ventilator's overall height.



PRODUCT DIMENSION & WEIGHT

Model FR900

Turbine



A : Overall turbine diameter F : Effective inner throat opening area G: Overall turbine only height

In Metric Units

Model	Dimensions*(mm)			Weight
	ØA	ØF	G	kg
FR 900	1096	897	643	18.10

* Tolerance is within +/- 5mm and +/- 0.5kgs

In Imperial Units

Model	Dimensions#(inches)			Weight
	ØA	ØF	G	lb
FR 900	43.1	35.3	25	39.90

Tolerance is within +/- 0.2 inches and +/- 1.1lbs



PRODUCT CLASSIFICATION AND PERFORMANCE

Model FR900

PRODUCT INFORMATION SUMMARY

Ventilator Range	Hurricane®	
Ventilator Model	FR900	
Ventilator Type	Type 4 - Rotating wind-driven roof ventilator	
Ventilator Performance Class (AS/NZS 4740:2000 Table 1.2)		
Rain Resistance	50 m/s No Water - Class A	
Effective Aerodynamic Area, EAA	0.374 m ²	
Effective Aerodynamic Area, C _d	0.63 - Class 2	
Flow Coefficient, C _f	0.17 - Class 4	
Wind Loading	57m/s - Level 1	
Nominal Performance* (m ³ /hr)		
	0 m/s	3194 m ³ /hr
	3 m/s	3267 m ³ /hr
	6 m/s	3477 m ³ /hr

*In accordance to AS/NZS 4740:2000 nominal performance parameters, as per cl3.5 at h = 6m, ΔT = 140°C, T = 20°

PERFORMANCE

Natural wind ventilators must be manufactured in Australia and in an ISO 9001 certified factory. They must:

- Be tested in accordance to the Australian and New Zealand standard AS/NZS 4740:2000
- Be tested by CSIRO to meet AS1668.1-1998 Section 4.8.1 The use of ventilation and airconditioning in buildings, Part 1: Fire and smoke control in multicompartment buildings.
- Have the tested capability of withstanding wind speed of 205.2km/hr.
- Fire rating:
 - Ability to operate for 120 minutes at 200°C
 - Ability to operate for additional 30 minutes at 300°C
 - Ability to continue to operate for additional 30 minutes at 400°C

As per AS 1668.1-1998 Section 4.8.1 The use of ventilation and airconditioning in buildings, Part 1: Fire and smoke control in multicompartment buildings.

FINISHES

Available in aluminium finish or a range of colours upon request.

ACCESSORIES

When specified, accessories such as manual damper, electric damper, EC damper grilles, and special bases (spigot, square to round and EX Base) are available upon request.

WARRANTIES

CSR Building Products Limited ABN 55 008 631 356 T/A Edmonds ("Edmonds") warrants from the date of install, for a period of FIFTEEN (15) YEARS that the Edmonds Hurricane® Natural Ventilator turbine and body will retain its performance characteristics and be free from faulty materials and workmanship on the condition that the vent is installed in accordance to the installation instructions and was not subject to fire conditions or any exposure to prolong heat. Please refer to Warranty Document on edmonds.com.au for full details.