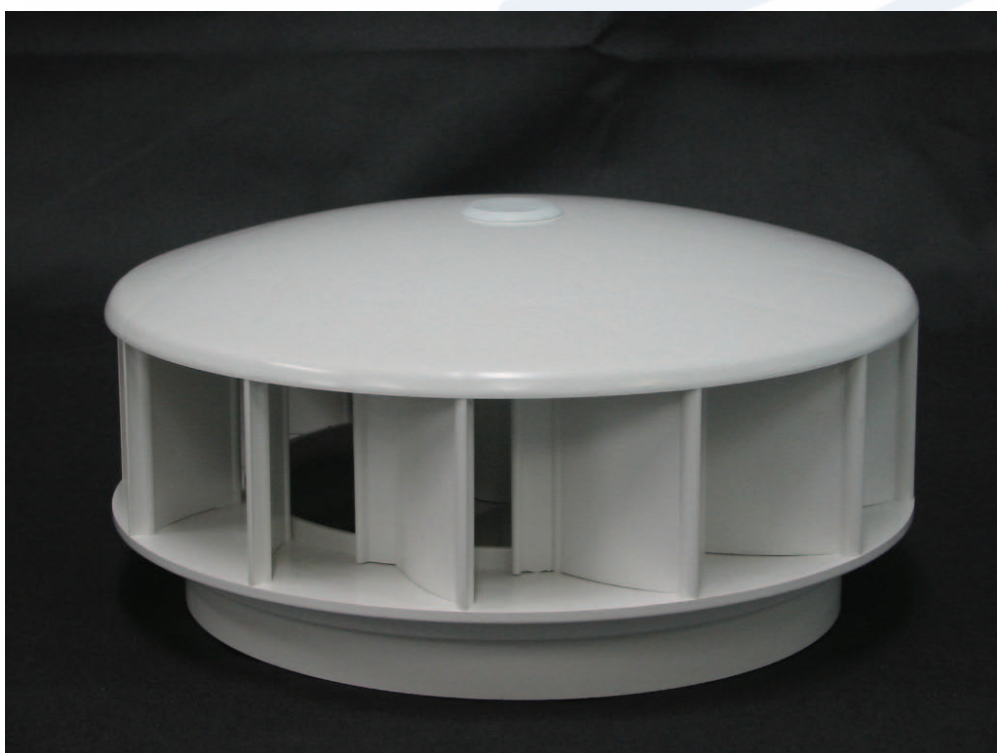


WIND DRIVEN VEHICLE & GENERAL PURPOSE VENTILATOR

GP VENT

Ventilate your • trailer • van • canopy
• caravan • boat • truck • bus • rail
carriages • etc.

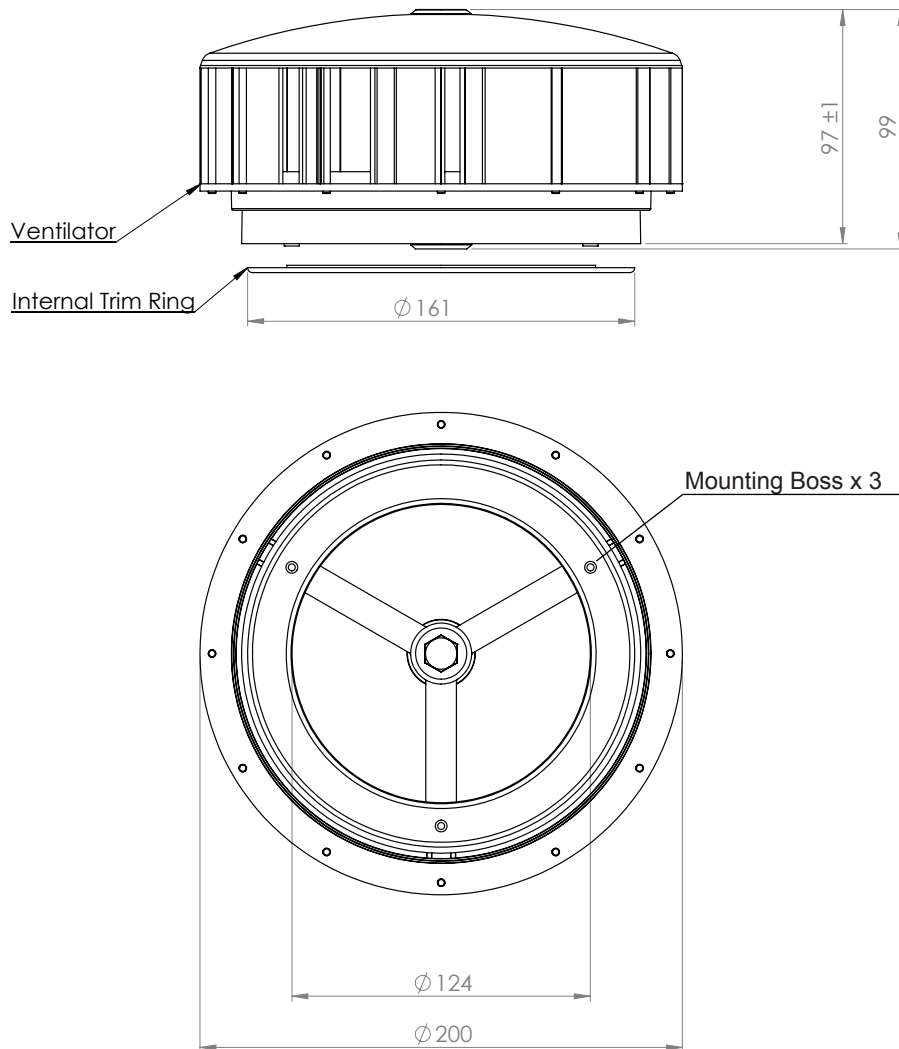


EDMONDS



CSR

DRAWING



INSTALLATION INSTRUCTIONS

1. Use dress ring as a template to mark hole size on roof. Cut hole (approx. size 130mm)
2. Again, using dress ring as a template drill 3 holes in roof 5mm DIA. Check to ensure ventilator locates perfectly over the opening and the 5mm holes.
3. Apply a bead of silicone around opening.
4. Mount turbine on roof and locate the three mounting bosses in the three 5mm holes.
5. From inside, hold the turbine down and insert a No. 8 screw (not supplied) through the dress ring, the roof and into the ventilator.

