

Industrial Ventilator Damper

Refer to product table below for applicable product codes covered by this document

Issue **A**

Product Type & Application

Bradford Ventilation Industrial Ventilator Dampers are designed to be used with the Hurricane® and EcoPower® ventilators. Industrial Ventilation Dampers are suitable for applications where manual or powered control of air-flow to the ventilator is required.

Compliance with the NCC

There are no relevant clauses within the NCC for this product to comply with.

Evidence of Suitability

There are no relevant clauses within the NCC to show compliance with – refer to the Additional Data section of this PTS for other compliance data.

Conditions of Storage, Use & Maintenance

- Store in the original packaging in a cool and dry area.
- The electronics and electrical components are designed for indoor installation only and should not come into contact with water.
- This product requires regular inspection and maintenance, which should be increased in frequency when used in harsh environments.
- Do not attempt to repair – contact Bradford Ventilation.

Refer to the product warranty at bradfordventilation.com.au for more information.

Limitations of Use

- Do not use for exhausting hazardous, abrasive, explosive materials and vapour.
- This product is not suitable for bushfire (BAL) rated areas.
- Seek technical advice from Bradford Ventilation on application suitability if unsure.
- This product is not sealed and therefore not suitable for the containment of smoke, preventing air entry or isolation of specific volumes of air.
- The products are designed to be used with Bradford Ventilation Hurricane® and EcoPower® ventilators only.
- **IMPORTANT - Do Not Modify This Product:** Performance and safety are only achieved by the product or configuration listed in this PTS.

Specific Design or Installation Instructions

- It is recommended the dampers are installed by the factory at the time of ventilator purchase. Retrofitting a damper requires the removal of the ventilator turbine and varipitch assembly, and access from above and below the roof.
- The damper is designed with clearance to the internal ventilator throat or flashing to avoid interference during operation.
- Even when the damper is closed, an adequate make-up area must be provided as per the Hurricane® and EcoPower® installation manual.
- Type 1 and Type 2 Damper do not require electrical connection for operation.
- Type 1, 2 and 5 dampers flap will fold down to open. Adequate clearance must be provided.
- Type 5 and Type 6 Damper require 240VAC or 24VAC for operation.
- Ensure that the vent and damper are installed in an area where the operation of the damper is not obstructed or restricted by the building structures.
- **WARNING:** Isolate power before installation. Electrical wiring must be carried out by a licensed electrician.
- **Important Note:** This product is not sealed – see specific advice under Limitations of Use.

For general installation guidance refer to the product installation guide at www.bradfordventilation.com.au

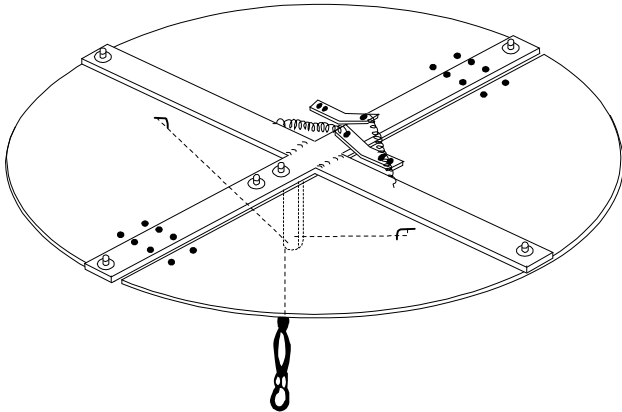
Industrial Ventilator Damper

Applicable Product Codes (SKU) – Type 1 Damper – Manual Butterfly Type Damper

Manual cord operated damper that allows user to control the level of ventilation required. This split-disc manual cord is designed for Hurricane® and EcoPower® ventilators. The springs on this damper hold the disc unit closed when the unit is not retained in the open position.

Size	300mm	400mm	450mm	500mm	600mm	700mm	900mm
Code	61732	61733	61734	61735	61736	61737	61739

Product Assembly - Type 1 Damper – Manual Butterfly Type Damper

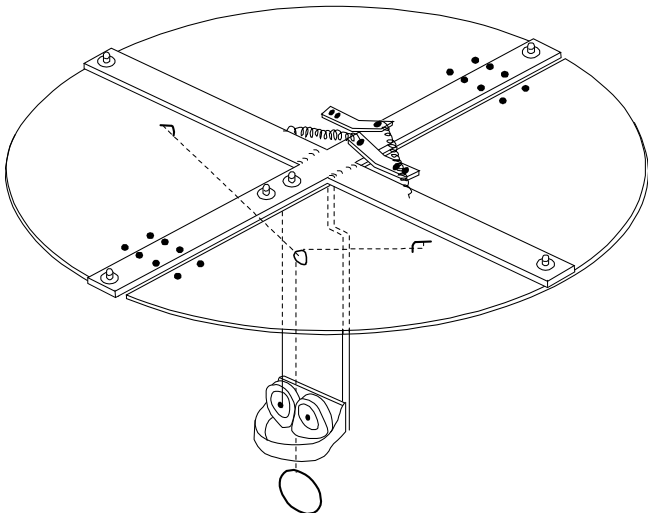


Applicable Product Codes (SKU) – Type 2 Damper – Manual Butterfly Type Damper with Cam Cleat

Manual cord and cleat operated damper that allows the user to control the level of the ventilation required. This split-disc manual damper is designed for Hurricane® and EcoPower® ventilators. The cleat allows the damper to be locked in open whilst the springs hold the unit closed when the cleat is released.

Size	300mm	400mm	450mm	500mm	600mm	700mm	900mm
Code	61740	61741	61742	61743	61744	61745	61747

Product Assembly - Type 2 Damper – Manual Butterfly Type Damper with Cam Cleat



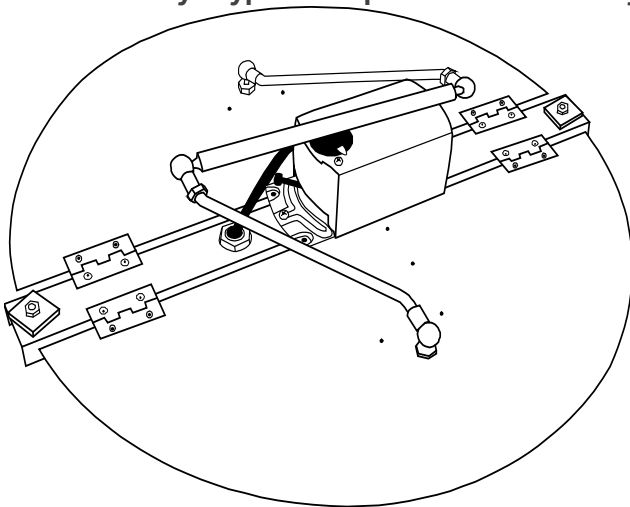
Industrial Ventilator Damper

Applicable Product Codes (SKU) – Type 5 Damper – Electric Butterfly Type Damper

An electrically operated split-disc electric damper which allows the user to control the level of air-flow. The Type-5 damper is designed for Hurricane® and EcoPower® ventilators. The electric dampers can be operated by a switch (not included). The damper actuator is available in 24VAC and 240VAC.

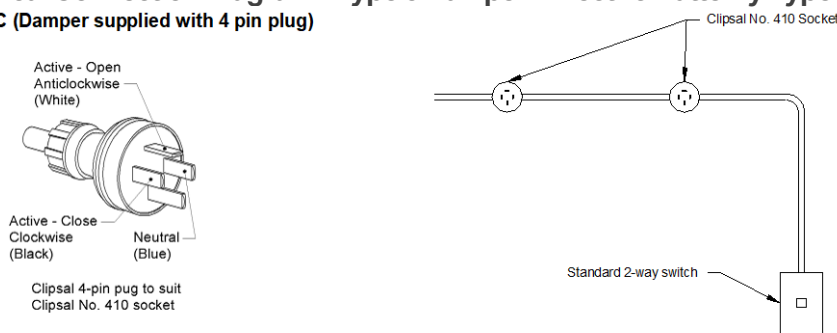
Actuator Voltage	300mm	400mm	450mm	500mm	600mm	700mm	900mm
24V AC Type	83944	83945	-	83947	83948	83949	79486
240V AC Type	61748	61749	61750	61751	61752	61753	61755

Product Assembly - Type 5 Damper – Electric Butterfly Type Damper



Electrical Connection Diagram - Type 5 Damper – Electric Butterfly Type Damper

240 VAC (Damper supplied with 4 pin plug)



24 VAC (Damper supplied with stripped leads)

Wire colour	Function
Red	System potential 24 VAC
Purple	Actuating signal 0 VAC (Close Damper)
Orange	Actuating signal 0 VAC (Open Damper)

Electrical Specification - Type 5 Damper – Electric Butterfly Type Damper

Actuator Voltage	Actuator Manufacturer	Operating Voltage	Power Consumption	Operating Time (Opening or Closing)	Actuator Ingress Protection
24V AC Type	Siemens	24V AC ~50/60 Hz	1W	150 seconds	IP54
240V AC Type	Siemens	240V AC ~50/60Hz	1W	150 seconds	IP54

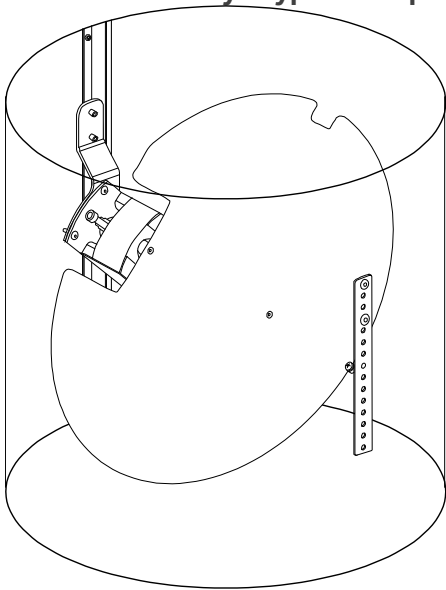
Industrial Ventilator Damper

Applicable Product Codes (SKU) – Type 6 Damper – Electric Disc Type Damper

An electrically operated single-disc electric damper which allows the user to control the level of air-flow. The Type-6 damper must be fitted into a Hurricane® or EcoPower® ventilators with a special base. The electric dampers can be operated by a switch (not included). The damper actuator is available in 24VAC and 240VAC.

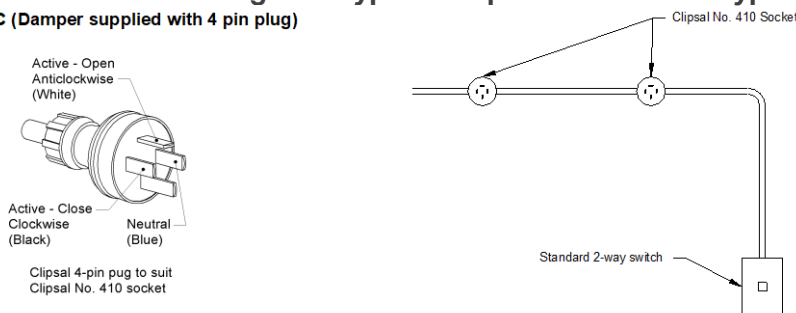
Actuator Voltage	300mm	400mm	450mm	500mm	600mm
24V AC Type	-	83962	-	99432	91146
240V AC Type	61756	61757	61758	99431	91145

Product Assembly - Type 6 Damper – Electric Disc Type Damper



Electrical Connection Diagram - Type 6 Damper – Electric Disc Type Damper

240 VAC (Damper supplied with 4 pin plug)



24 VAC (Damper supplied with stripped leads)

Wire colour	Function
Red	System potential 24 VAC
Purple	Actuating signal 0 VAC (Close Damper)
Orange	Actuating signal 0 VAC (Open Damper)

Electrical Specification - Type 6 Damper – Electric Disc Type Damper

Actuator Voltage	Actuator Manufacturer	Operating Voltage	Power Consumption	Operating Time (Opening or Closing)	Actuator Ingress Protection
24V AC Type	Siemens	24V AC ~50/60 Hz	1W	150 seconds	IP54
240V AC Type	Siemens	240V AC ~50/60Hz	1W	150 seconds	IP54