

AiroMatic® Powered Roof Ventilator

Refer to product table below for applicable product codes covered by this document

Issue **A**

Product Type & Application

Airomatic is a powered roof ventilator with low voltage electronic commutating motor that provides exceptional energy efficiency, high flow rate and low operating noise.

Compliance with the NCC

When correctly specified and installed this powered roof ventilator meets the requirement of the NCC2019 Ventilation of Roof Spaces Volume 1 Clause F6.4 and Volume 2 Clause 3.8.7.4 as a performance solution.

Evidence of Suitability

- Cardno Performance Solution Report 80820109
- CSR Lab Report ETR00075 – AS4740 Natural Ventilators Classification and Performance
- CSR Lab Report ETR00067 – ISO5801 Industrial Fans – Performance testing using standardized airways
- CSR Lab Report ETR00068 – ISO5801 Industrial Fans – Performance testing using standardized airways

Conditions of Storage, Use & Maintenance

- Store in the original packaging in a cool and dry area.
- The electronics and electrical components are designed for indoor installation only and should not come into contact with water.
- Do not attempt to repair – contact Bradford Ventilation.

Refer to the product warranty at bradfordventilation.com.au for more information.

Limitations of Use

- The AiroMatic is designed for Class 1 and Class 10 building roof ventilation in non-cyclonic regions.
- Do not use for exhausting hazardous or explosive materials and vapour.
- This product is not suitable for bushfire (BAL) rated areas.

Specific Design or Installation Instructions

- This product must be installed in a dry location and sealed against water ingress.
- Replacement outside air must be provided via evenly distributed openings such as eave vents positioned to facilitate crossflow ventilation and help the powered ventilator to work more effectively and efficiently.
- Electrical connection requires 240VAC GPO for operation.
- Isolate power before installation.
- The power supply and speed controller are for dry indoor use only. Ensure that the power supply and speed controller are not left on damp surfaces - fasten to the internal structure with screws or cable ties as required.
- Only use one powered ventilator per speed controller and power supply as supplied by Bradford Ventilation.
- The Airomatic has an unguarded fan assembly and should not be used in locations readily accessible to people or animals - the fan is intended for use facing an unoccupied space only.
- Use only the default fixed speed Airomatic (identified by yellow sticker) to comply with NCC2019 Ventilation of Roof Spaces performance solution.

NCC2019 Ventilation of Roof Spaces Performance

Solution Requirements:

- Calculate the area (m²) of ceiling directly under the roof space;
- Determine the pitch of the roof;
- Install Airomatic(s) and Metal Eave Vents according to the Bradford Ventilation Performance Solution Table;
- Distribute the powered ventilator(s) and metal eave vents evenly.

Bradford Ventilation Performance Solution Table

Roof Pitch	Total Ceiling Area ¹	AiroMatics Required	Metal Eave Vents	Make-Up Air Open Area ²
> 22°	< 203 m ²	1	4	0.15 m ²
	< 407 m ²	2	6	0.21 m ²
≤ 22°	< 127 m ²	1	4	0.15 m ²
	< 254 m ²	2	6	0.21 m ²
	< 381 m ²	3	8	0.28 m ²

¹ Total Ceiling Area is defined as the total ceiling area directly under the roof/attic space.

² The Make-Up Open Area air is an alternate solution to replace Bradford Metal Eave Vents.

For general installation guidance refer to the product installation guide at www.bradfordventilation.com.au

AiroMatic® Powered Roof Ventilator

Applicable Product Codes (SKU)

Variant	Material Code
Airomatic Surfmist	112155
Airomatic Headland	112153
Airomatic Woodland Grey	112156
Airomatic Night Sky	112154

Product Specifications

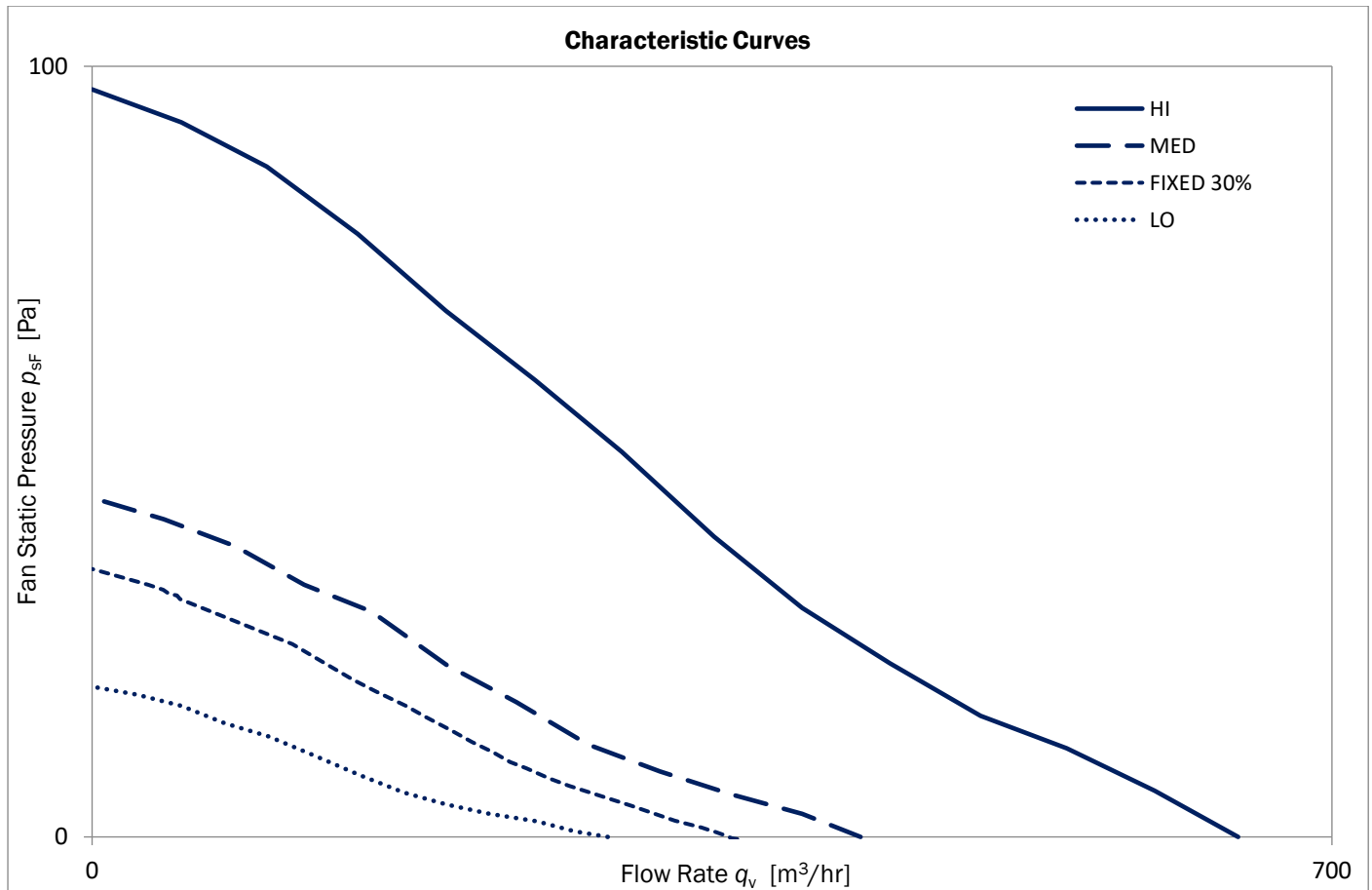
General	
Ventilator Type	Powered Roof Ventilator
Fan Diameter	230 mm
Throat Diameter	250 mm
Product Weight	2.95 kg
Packaged Weight	3.70 kg
Roof Slope Installation Range	3° to 35°

Material	
Clear Dome	UV Stable Clear Acrylic
Housing	Weatherproof Acrylic
Flashing	Aluminium
Fan and Motor Housing	Polypropylene
Fan Impeller	Glass-Filled Nylon
Screws	Stainless Steel and Galvanised

Electrical	
Power Supply Type	Electronic Switch Mode
Input Voltage	100-240VAC, 1A, ~50/60Hz
Output Voltage	24 VDC
Cable Length	Approx. 1.8 m
Installation Location	Indoor, Dry Area
Fan Type	Electronic Commutating Motor
Internal Voltage	24 VDC
Protection Class	IP54
Maximum Flow Rate	647 m³/hr

AiroMatic® Powered Roof Ventilator

Product Performance – Ventilator Flowrate



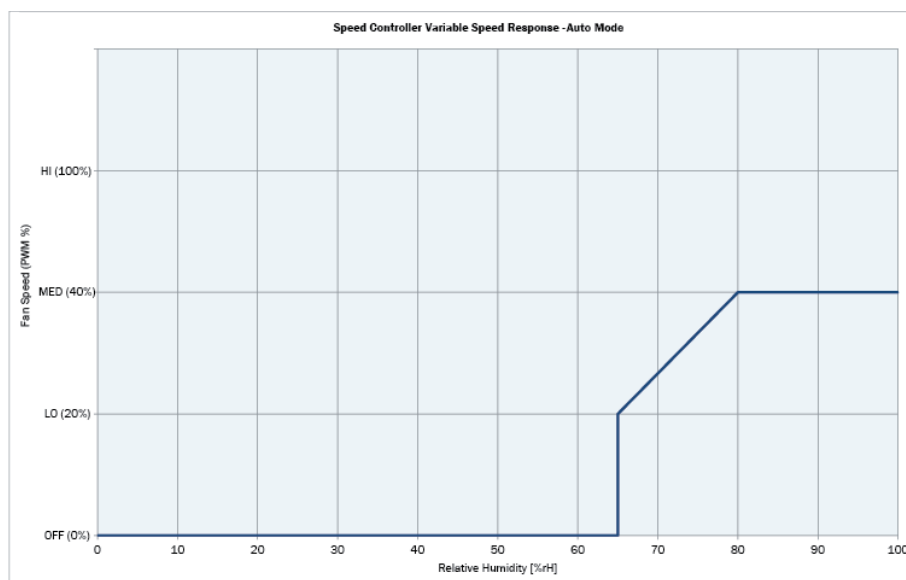
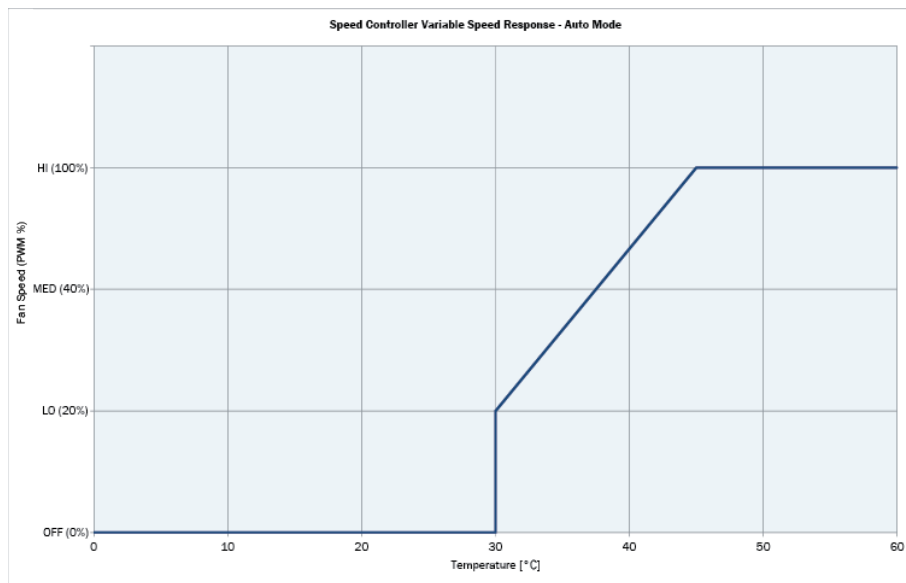
AiroMatic® Powered Roof Ventilator

Ventilator Fan Speed Options

AiroMatic has 3 fixed speed options available (LO, MED, HI) or a variable (AUTO) speed which responds to both ambient temperature and to ambient relative humidity.

- In AUTO when measuring the temperature, the fan response will be off below 30°C, LO speed at 30°C and a linear increase in speed until HI speed is reached at 45°C.
- In AUTO when measuring relative humidity, the fan response will be off below 65%rH. At 65%rH the fan will start in LO speed and there will be a linear increase in speed until MED speed is reached at 80%rH.

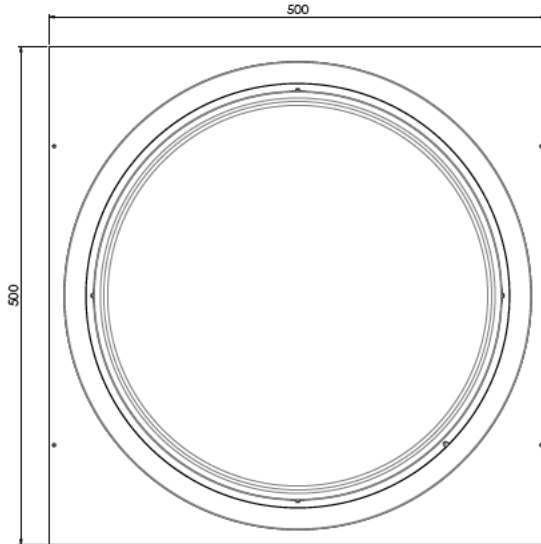
The two charts below summarise the fan response.



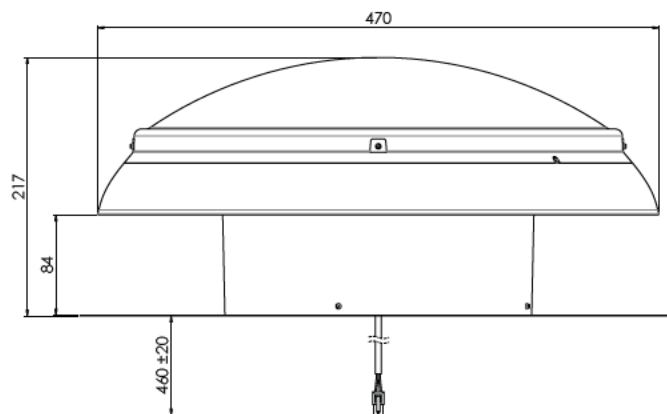
AiroMatic® Powered Roof Ventilator

Product Dimensions

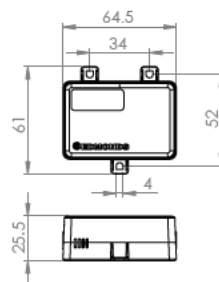
Top View



Front View



Speed Controller



Power Supply

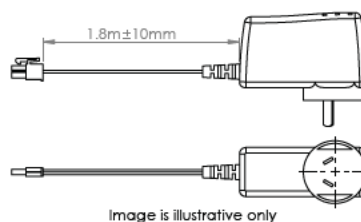


Image is illustrative only